

Spare Parts List

Elevator

Lift

Multitier

Code-No. 99 97 0797

Edition June 1994 M 797 E

Table of Contents

- 1. Introduction**
 - 1.1 General Instructions**
 - 1.2 Order of Spare Parts**
 - 1.3 Prevention of Accidents and Liability**
 - 1.4 Due Use**

- 2. Elevators**
 - 2.1 Spare Parts List Elevators**
 - 2.2 Survey of Elevators**

- 3. Longitudinal Belt and Lift Drives**
 - 3.1 Spare Parts List Longitudinal Belt Drive**
 - 3.2 Spare Parts List Lift Drive**

- 4. Longitudinal Egg Collection with Cross Collection " MULTITIER "**
 - 4.1 Spare Parts List Multi - Tier Cross Egg Collection**
 - 4.2 Spare Parts List Egg Cross Belt Drive**
 - 4.3 Spare Parts List Idler Column for Egg Cross Belt**

Elevator - Lift - Multitier M 797 E

Notice

1. Introduction

1.1 General Instructions

The content of these spare parts lists refers to the *Big Dutchman* standard versions. When using these spare parts lists, please observe alterations and deviations respectively, as to your scope of supply. The reference numbers indicated in the text refer to the positions of the individual parts in the explo - drawings.

The reference number appears together with the code no. and the designation of the individual parts in the parts lists beside or below the explo - drawings.

1.2 Order of Spare Parts

When ordering spare parts, you should indicate:

1. Code no. and designation of the spare part.
2. In the case of a pos. no. without code no., the type of system and the number of tiers must be indicated.
3. Invoice no. of the original delivery.
4. Power supply, e. g. 220 / 380 v - 3 Ph. - Hz

1.3 Prevention of Accidents and Liability

BEFORE performing maintenance on a machine , check:

- whether the fuses and switches for the machine in question are turned off,
- whether the switch for the electronic remote control, if included in the system (usually located in a separate central room) is turned off and provided with the warning - tag " DO NOT OPERATE ". If there is no such warning - tag: stick it !

NEVER attempt operational adjustments or removal of troubles while the machine is in operation, unless maintenance instructions specifically state otherwise.

***Big Dutchman* is not liable for any injury or damage resulting from repairs, modifications or adjustments attempted outside the range of our instructions in manuals, warning signs, correspondence and outside valid regulations for accident - prevention.**

1.4 Due Use

***Big Dutchman* egg collecting systems must only be used for due application, to collect the eggs from cage systems and floor management systems of laying hens.**

Every other application is not due. The manufacturer will not be liable for any damage resulting from such a use; the risk is exclusively left to the user.

Due use also implies the observation of the operating and maintenance conditions specified by the manufacturer.

***Big Dutchman* egg collecting systems must only be used, maintained and repaired by persons who are well acquainted with them and informed about the risks.**

The relevant rules for prevention of accidents and the other accepted safety specifications and regulations concerning industrial medicine must be observed.

Arbitrary changes on the machine will ostracize the liability of the manufacturer for any damage resulting therefrom.

If you have any questions please contact:

**Big Dutchman International GmbH, D - 49360 Vechta, Germany,
P.O. Box 11 63, Telephone 04447 / 801-0, Telex 25510 big d,
Fax 04447 / 801-237.**

2. Elevators

2.1 Spare Parts List Elevators

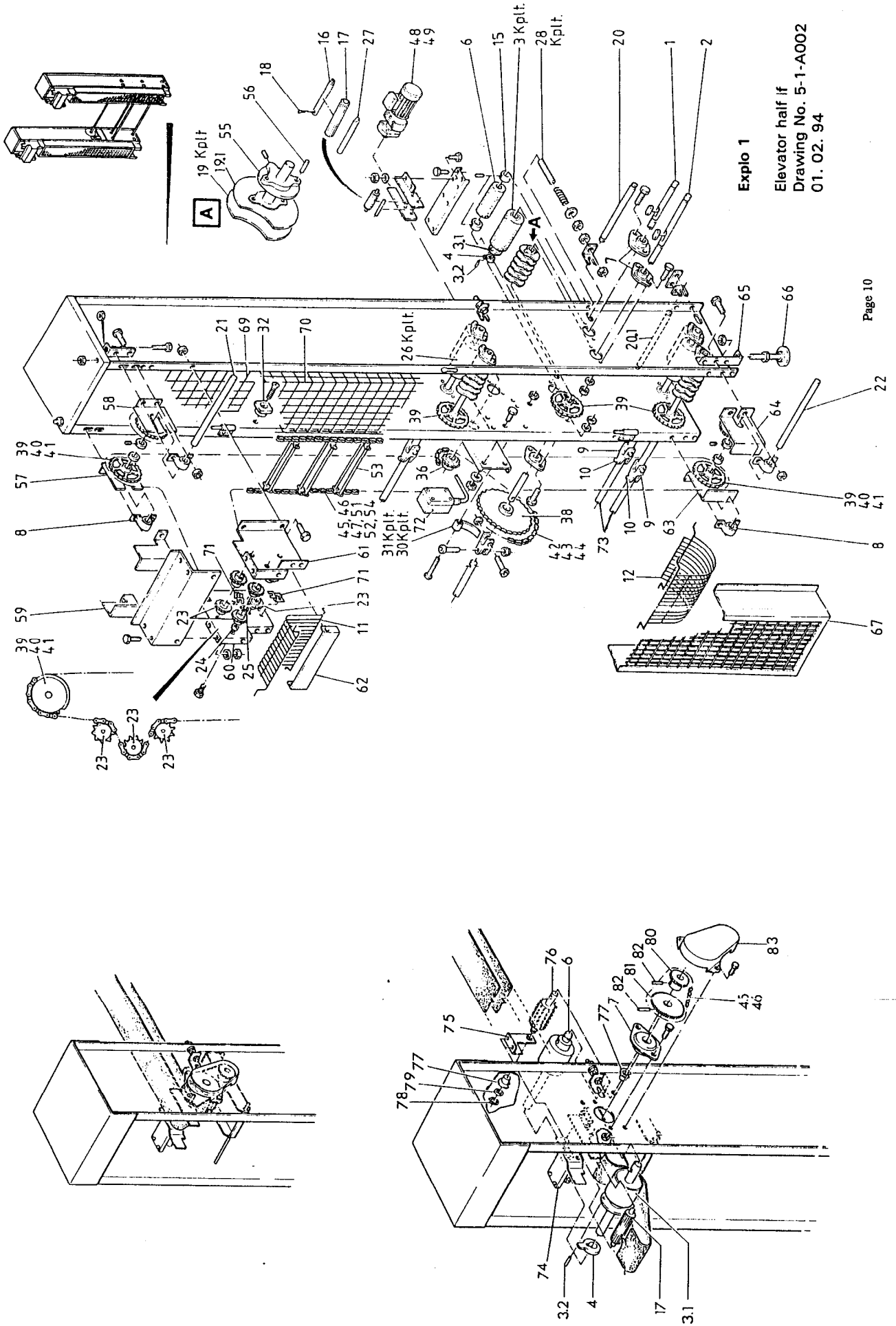
Pos.	Code No.	Designation
1	38 94 3655	Shaft \varnothing 20 x 850 w / keyway stand w / 2 set collars and feather
2	38 94 3604	Shaft \varnothing 20 x 700 w 1 bore
3	38 94 3524	Drive roller new cpl \varnothing 20 x 100 f / elevator Drive roller new cpl \varnothing 20 x 100 f / elevator NAT
3.1	38 94 3575	Drive roller \varnothing 20 x 100 f / elevator
	38 94 3375	Drive roller \varnothing 35 x 100 f / NATURA
3.2	38 94 3503	Shear pin \varnothing 3 x 25 steel
4	38 94 3576	Pusher f / drive roller elevator
5	38 94 3376	Intermediate pipe drive roller \varnothing 35 x 225 NATURA
6	38 94 3519	Press roller PVC \varnothing 23 x \varnothing 60 - 110 f / Elevator
7	38 94 3583	Flange bearing PE \varnothing 20 2 - hole cpl
7.1	38 94 3579	Housing f / flange bearing \varnothing 20 2 - hole
7.2	38 94 3580	Bearing PE 47 x 20 - 14 w / adjusting ring
7.3	38 94 3581	Bearing PE - UHMW 47 x 20 - 14
7.4	38 94 3578	Adjusting ring A 20 DIN 705
8	38 94 3584	Pedestal bearing PE \varnothing 20 cpl
8.1	38 94 3551	Housing lower f / pedestal bearing \varnothing 20
8.2	38 94 3552	Housing upper f / pedestal bearing \varnothing 20
9	38 94 3554	Universal joint f / connection shaft Elevator
10	38 94 3553	Hexagon socket screw M 6 x 50 Elevator
11	38 94 3389	Egg grating upper tier Q 311 EV + CB
	38 94 3390	Egg grating upper tier Q 453 Uni
	38 94 3391	Egg grating upper tier Q 595 NAT
12	38 94 3392	Idler grating lower Q 311
	38 94 3393	Idler grating lower Q 453
	38 94 3394	Idler grating lower Q 595
13	38 94 3395	Egg grating lower tier Elevator LCB 311 EV + CB
	38 94 3396	Egg grating lower tier Elevator LCB 453 Uni
14	38 94 3397	Egg grating BCB 311
15	38 92 3496	Adjusting ring A 18 DIN 705 (pressure roller)
16	38 94 3371	Axle 8 x 135 f / transfer Elevator B
	38 94 3377	Axle 20 x 230 f / transfer Elevator B NAT
17	38 94 3369	Pipe 20 x 115 PA f / transfer Elevator B
	38 94 3370	Pipe 20 x 230 PA f / transfer Elevator NAT
18	99 50 1043	Splint pin 3 x 25 DIN 94
19	38 94 3378	Dosing wheel 1 - dent divided in 9 parts cpl NATURA
	38 94 3379	Dosing wheel 2 - dent divided in 9 parts cpl NATURA
	38 94 3372	Dosing wheel 1- dent divided in 6 parts cpl EV, CB

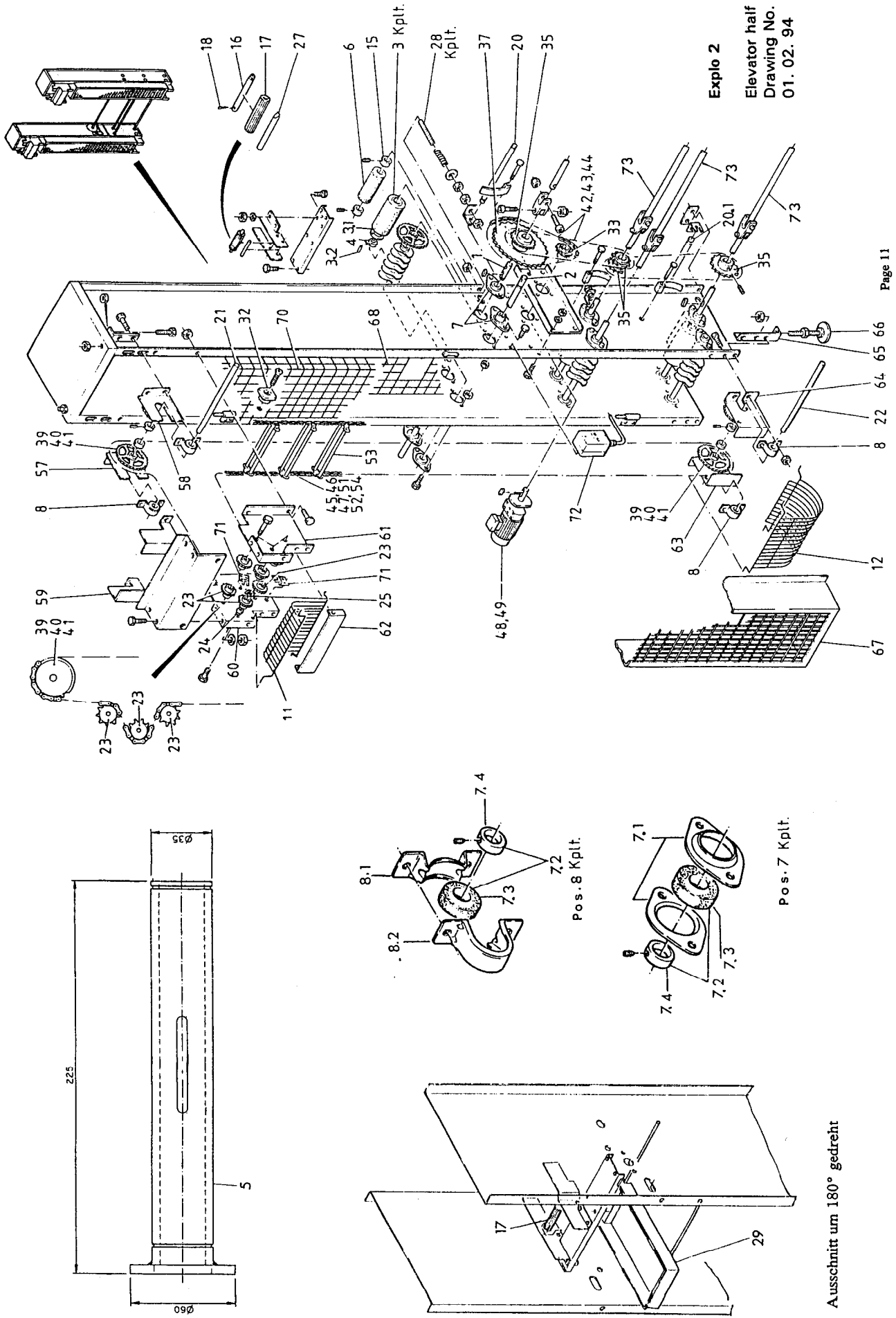
Pos.	Code No.	Designation
19	38 94 3373	Dosing wheel 2 - dent divided in 6 parts cpl EV, CB
	38 94 3374	Dosing wheel 4 - dent divided in 6 parts cpl EV, CB, Uni
19.1	38 94 3632	Egg transfer wheel 1 - sided Elevator
	38 94 3633	Egg transfer wheel 2 - sided Elevator
	38 94 3533	Egg transfer wheel 4 - sided Elevator
20	38 94 3387	Shaft f / pressure roller outside
20.1	38 94 3388	Shaft f / pressure roller inside
21	38 94 3382	Shaft 20 x 428 No 1 f / synchronizing elevator B NAT
22	38 94 3383	Shaft synchronizing f / elevator chain
23	38 73 3440	Chain wheel 3 / 8", 25 t, b 20, single w / ball bearing 6004 ZZ
24	38 94 3368	Bearing bolt f / chain wheel 25 t, Elevator B 210
25	99 50 3742	Retaining ring DIN 471 20 x 1,2
26	38 94 3324	Drive roller cpl \emptyset 20 x 200 f / Elevator B 80 / 210 NAT
27	38 94 3366	Wire \emptyset 3 x 115 f / transfer Elevator B
	38 94 3367	Wire \emptyset 3 x 230 f / transfer Elevator NAT
28	38 94 3569	Tightener p / pressure roller f / Elevator + Lift
29	38 94 3498	Collecting box for dirt plastic f / Elevator
30	38 94 3545	Tensioner f / chain cpl 55 lg Elevator
31	38 94 3645	Tensioner f / chain cpl 85 lg Elevator
32	38 94 3547	Guide f / elevator chain Nylon
33	38 94 3588	Chain wheel 1 / 2", 12 t, b 20 single
34	38 94 3532	Chain wheel 1 / 2", 12 t, b 20 double
35	38 94 3628	Chain wheel 1 / 2", 22 t, b 20 single
36	38 94 3629	Chain wheel 1 / 2", 16 t, b 20 single
37	38 94 3639	Chain wheel 1 / 2", 57 t, b 20 single
38	38 94 3528	Chain wheel 1 / 2", 38 t, b 20 single
39	38 94 3526	Chain wheel 3 / 8", 48 t, b 20 PVC single
40	38 94 3509	Chain wheel 3 / 8", 48 t, b 20 metal single
41	38 94 3398	Chain wheel 3 / 8", 48 t, b 20 single metal / 1 pair = 2 x 38 94 3509
42	99 98 8140	Roller chain 1 / 2" RE 222
43	99 50 1241	Chain joint 1 / 2" x 5 / 16"
44	99 50 1324	Chain link cranked 1 / 2
45	38-87-3004	Roller chain 3/8" w/lengthened bolt f/elevator
46	38 94 3544	Chain joint 3 / 8" x 7 / 32"
47	38 94 3543	Chain link cranked 3 / 8" x 7 / 32"
48	90 00 3824	Mot - g 0,37 KW, 220 / 380 V, 50 Hz, 27 r, Shaft \emptyset 20 x 40
49	90 00 3825	Mot - g 0,37 KW, 220 / 380 V, 50 Hz, 27 r, Shaft \emptyset 20 x 40 w / return stop
50	38 94 2529	Chain wheel 3 / 8", 16 t, b 20 single

Pos.	Code No.	Designation
51	38 84 3496	Egg conveying chain 311 x 4000
	38 84 3896	Egg conveying chain 453 x 4000
	38 84 3497	Egg conveying chain 595 x 4000
52	38 84 3898	Egg conveying chain 114 x 311 mm = 1 section f / Elevator
	38 84 3899	Egg conveying chain 114 x 453 mm = 1 section f / Elevator
52	38 84 3900	Egg conveying chain 114 x 595 mm = 1 section f / Elevator
53	38 87 3000	Bar f / elevator chain 311 mm w / sheet metal bracket
	38 87 3001	Bar f / elevator chain 453 mm w / sheet metal bracket
	38 87 3002	Bar f / elevator chain 595 mm w / sheet metal bracket
54	38 87 3003	Length of elevator chain w / 2 chain joints
55	38 94 3365	Pusher f / dosing wheel
56	38 94 3363	Axle \varnothing 5 x 115 f / pusher f / dosing wheel Elevator
	38 94 3364	Axle \varnothing 5 x 115 f / pusher f / dosing wheel Elevator - NAT
57	38 94 3362	Guard plate upper lf B 80 / 210
58	38 94 3361	Guard plate upper rh B 80 / 210
59	38 94 3360	Holding plate B 210 w / 4 tiers
	38 94 3300	Holding plate B 210 5 - 8 tiers
	38 94 3300	Holding plate B 80
60	38 94 3359	Side plate lf B 210
61	38 94 3358	Side plate rh B 210
62	38 94 3357	Covering plate B 80 / 210
63	38 94 3356	Guard plate below lf B 210
64	38 94 3355	Guard plate below rh B 210
65	38 94 3354	Angle f / leg
66	38 98 3611	Foot fully threadet
67		Cover below
		Cover upper off 5 tiers
68		Slide grating
69		Partition grating straight line
70		Partition grating edge
71	38 94 3349	Pitch edge rh for chain wheel Elevator B80/210
	38 94 3348	Pitch edge lh for chain wheel Elevator B80/210
72		Protective motor switch
73	38 94 3667	Shaft \varnothing 20 x 223 EV 450
	38 94 3668	Shaft \varnothing 20 x 323 EV 500
	38 94 3669	Shaft \varnothing 20 x 423 EV 550
	38 94 3670	Shaft \varnothing 20 x 523 EV 550 AV, C 500, CB 150
74		Supporting plate f / egg channel
75		Bracket lf / rh f / egg belt brush / Elevator
76		Egg belt brush f / Elevator
77		Plain bearing b 10 / 12 - 7
78	99 50 3714	Retaining ring DIN 471 10 x 1
79	99 50 1090	Washer B 10 DIN 125

Pos.	Code No.	Designation
80		Chain wheel 3 / 8", 13 t, b 10 single
81		Chain wheel 3 / 8", 25 t, b 20 single
82		Dowel pin \varnothing 4 x 28 DIN 1481
83		Guard f / chain drive f / egg belt cleaner

Attention: Please pay attention to the structural shape and tension of gear motors and indicate these on your orders!
When ordering spare parts of pieces without code no., please indicate the order number of the delivered system, the pos. no., the type of system and the number of tiers.





Explo 2

Elevator half rh
Drawing No. 5-1-A001
01. 02. 94

Ausschnitt um 180° gedreht

Figure 1

Drawing No. 5 - 1 - A003
01. 02. 94

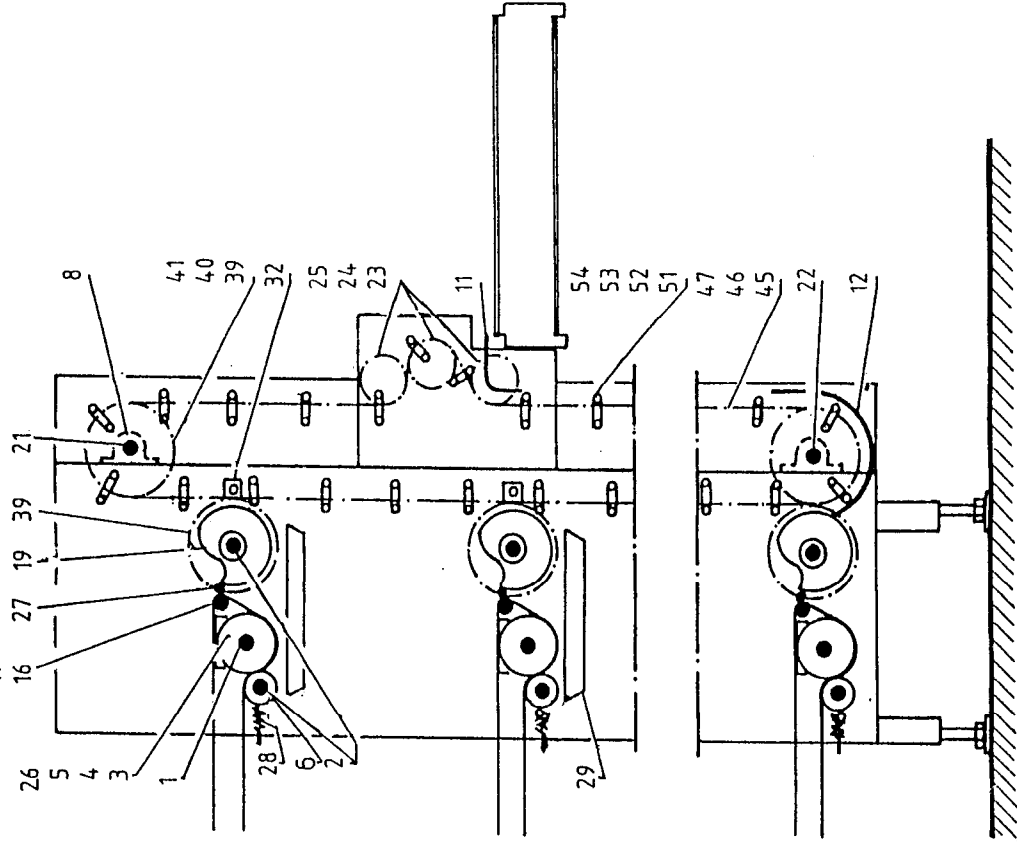
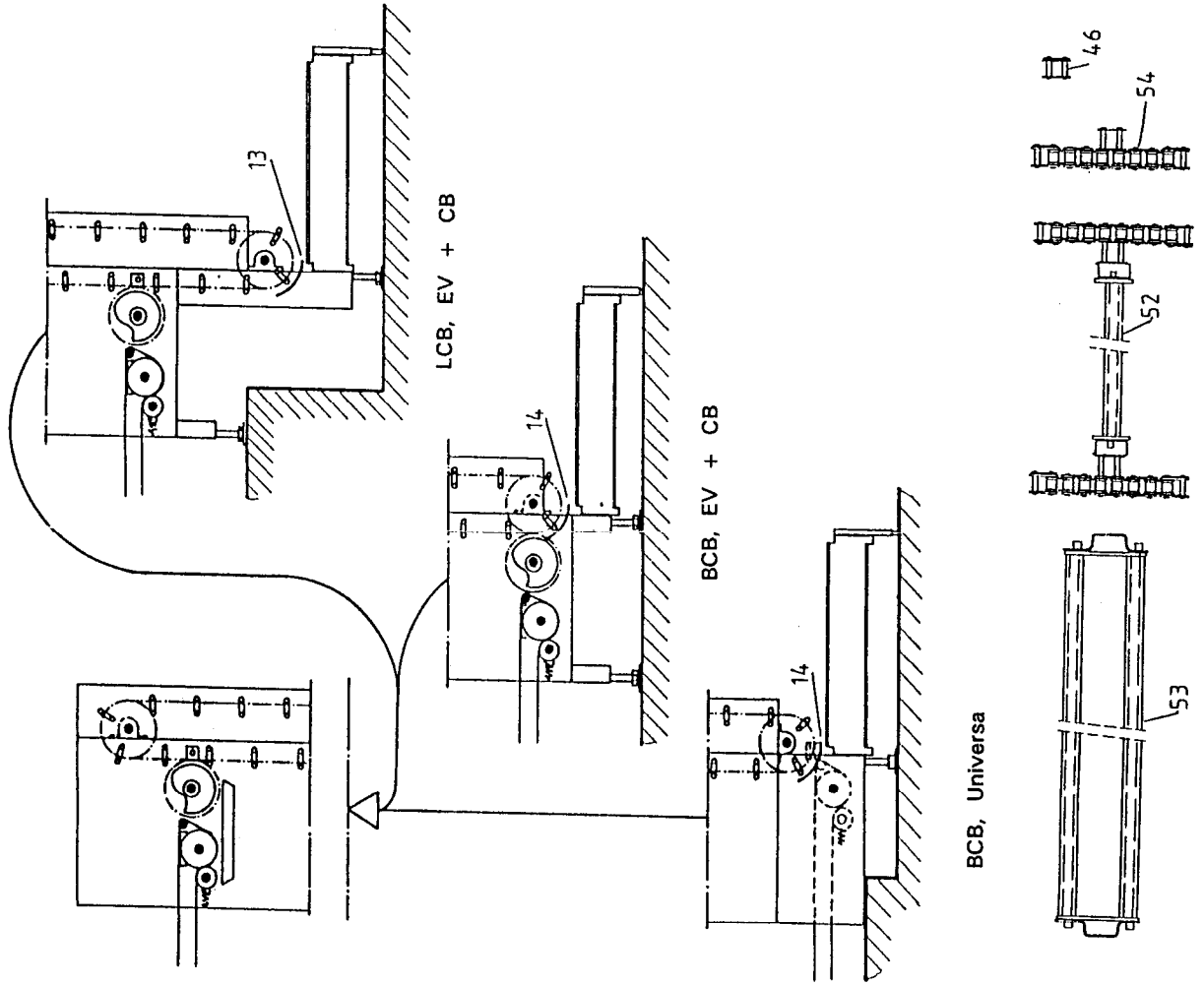
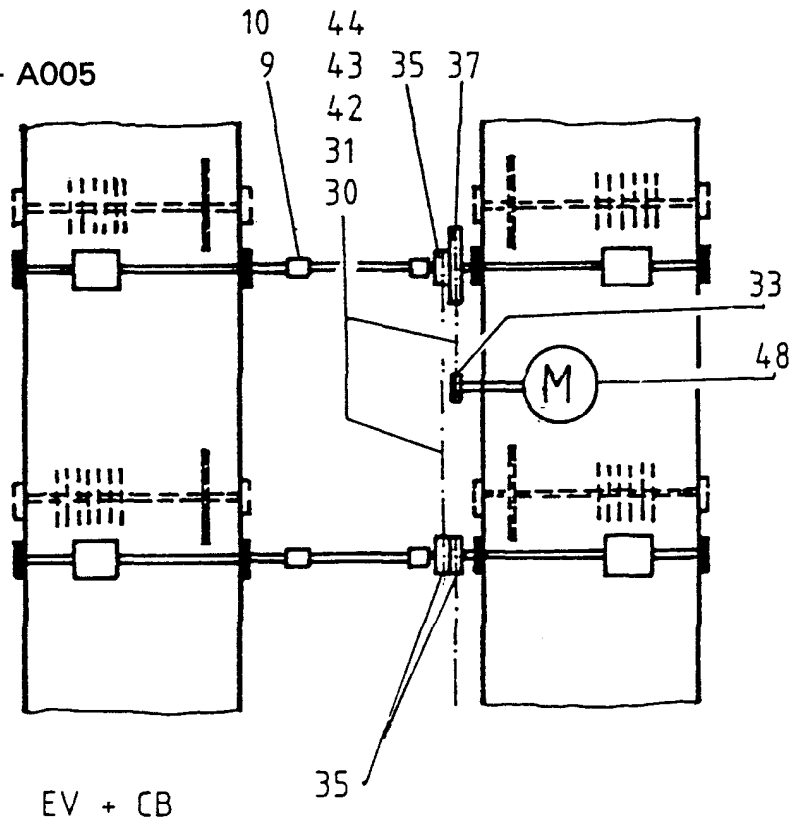


Figure 2

Drawing No. 5 -1 - A005
01. 02. 94

Section A



Section B

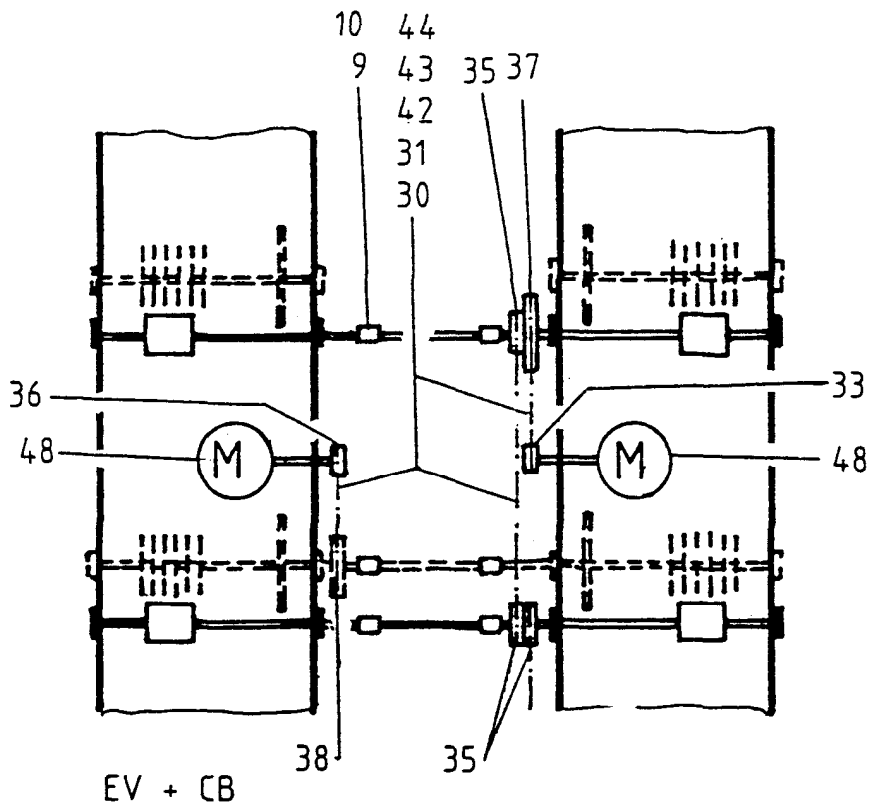


Figure 3

Drawing No. 5 - 1 - A006
01. 02. 94

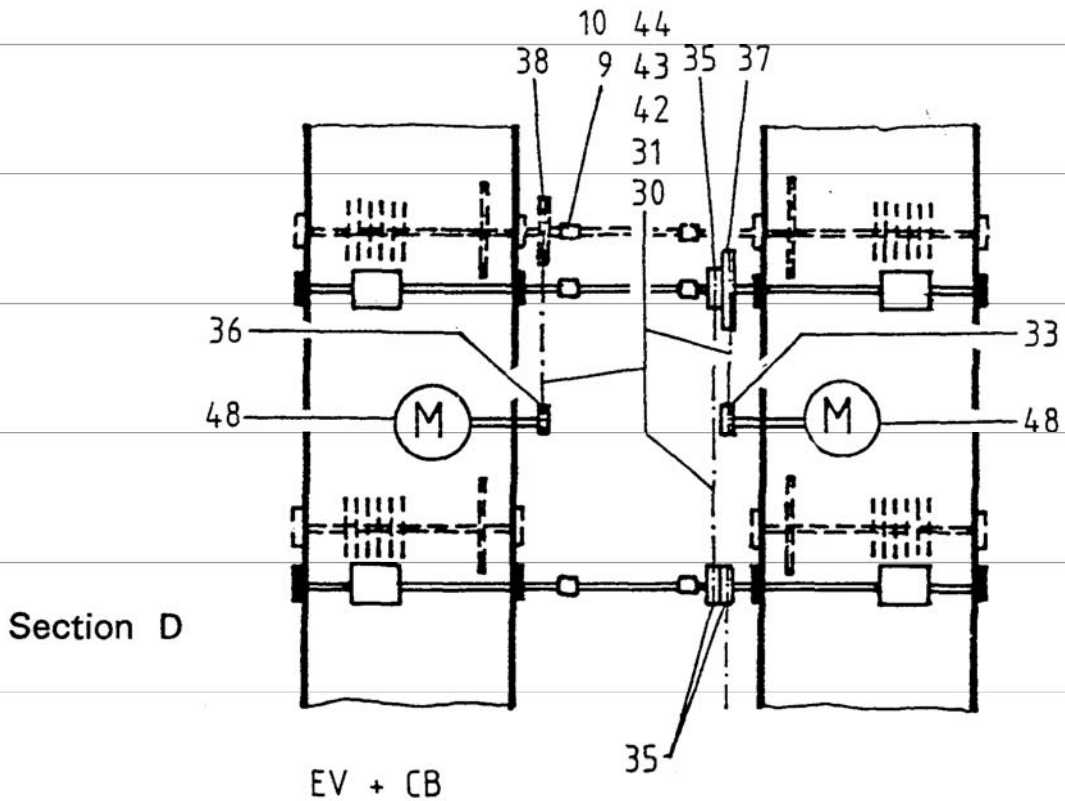
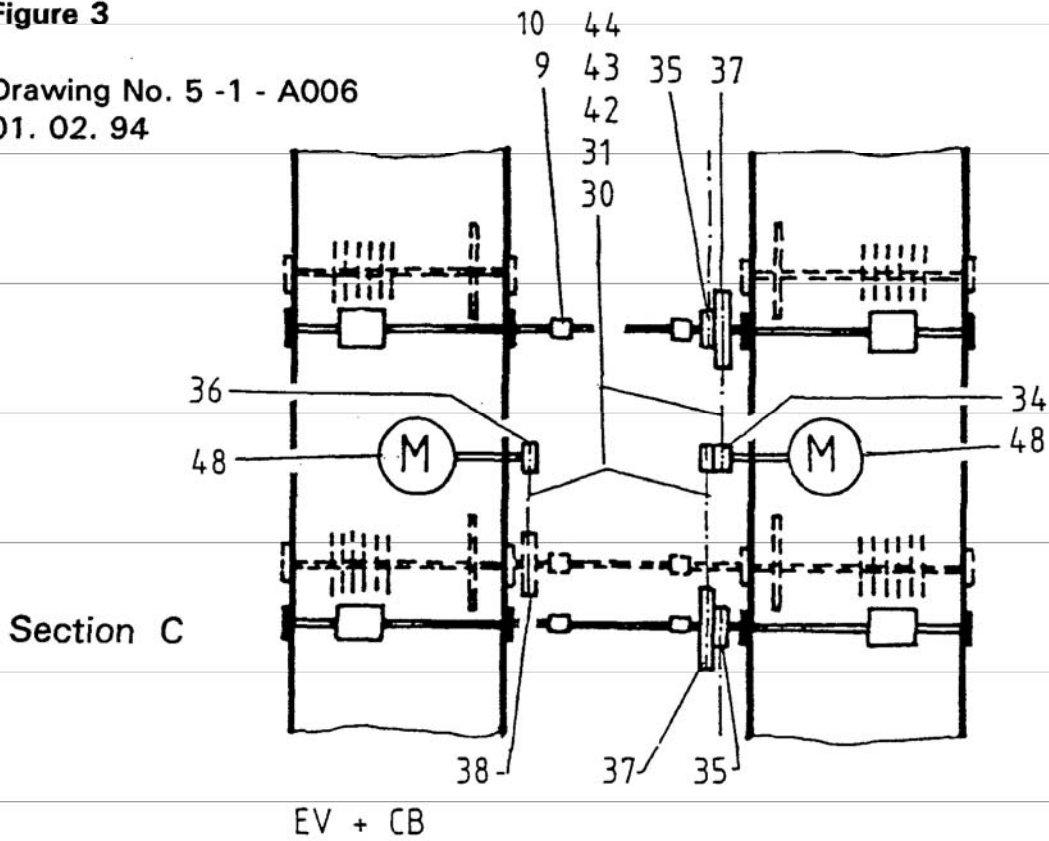
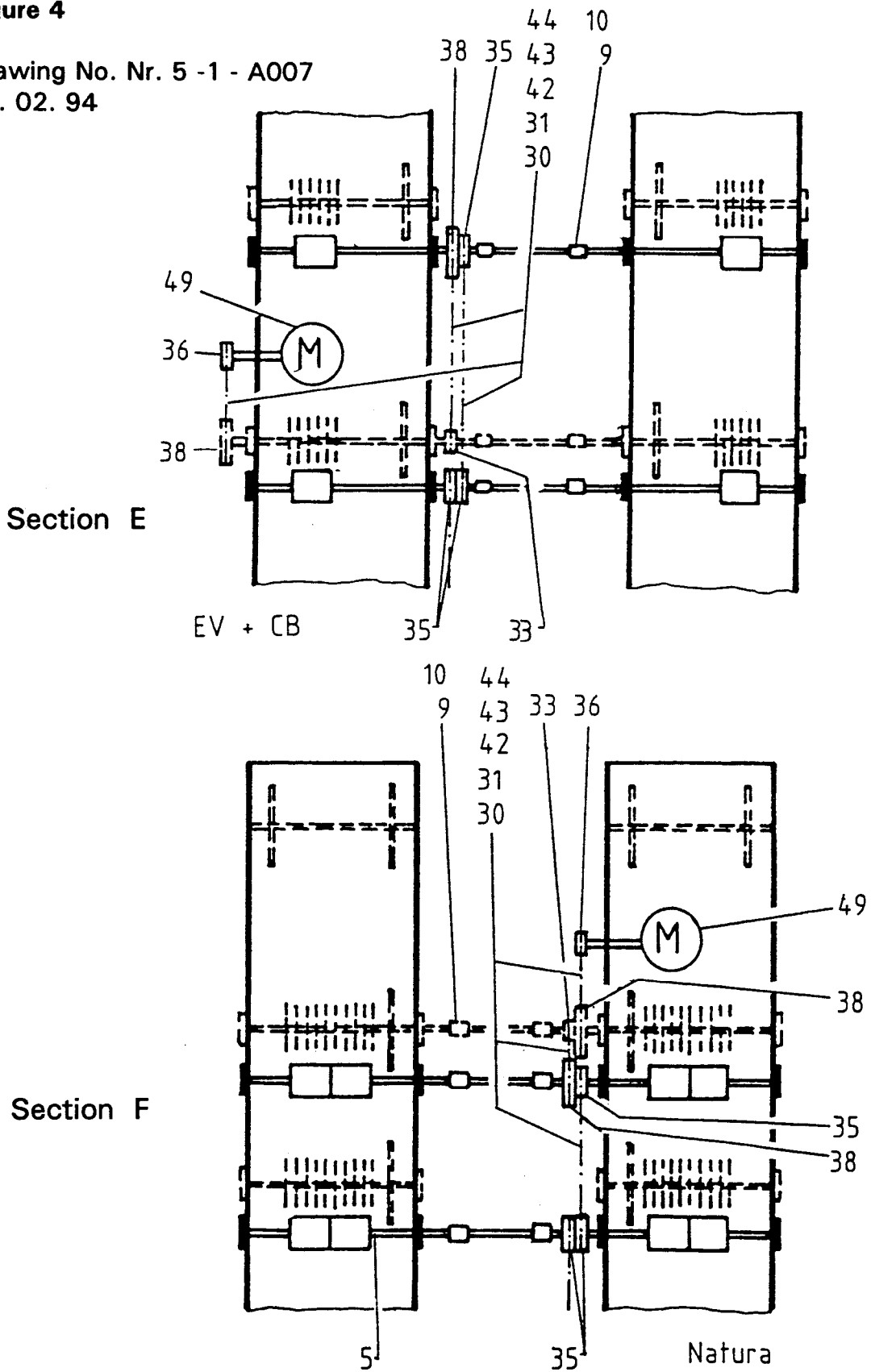


Figure 4

Drawing No. Nr. 5 -1 - A007
01. 02. 94

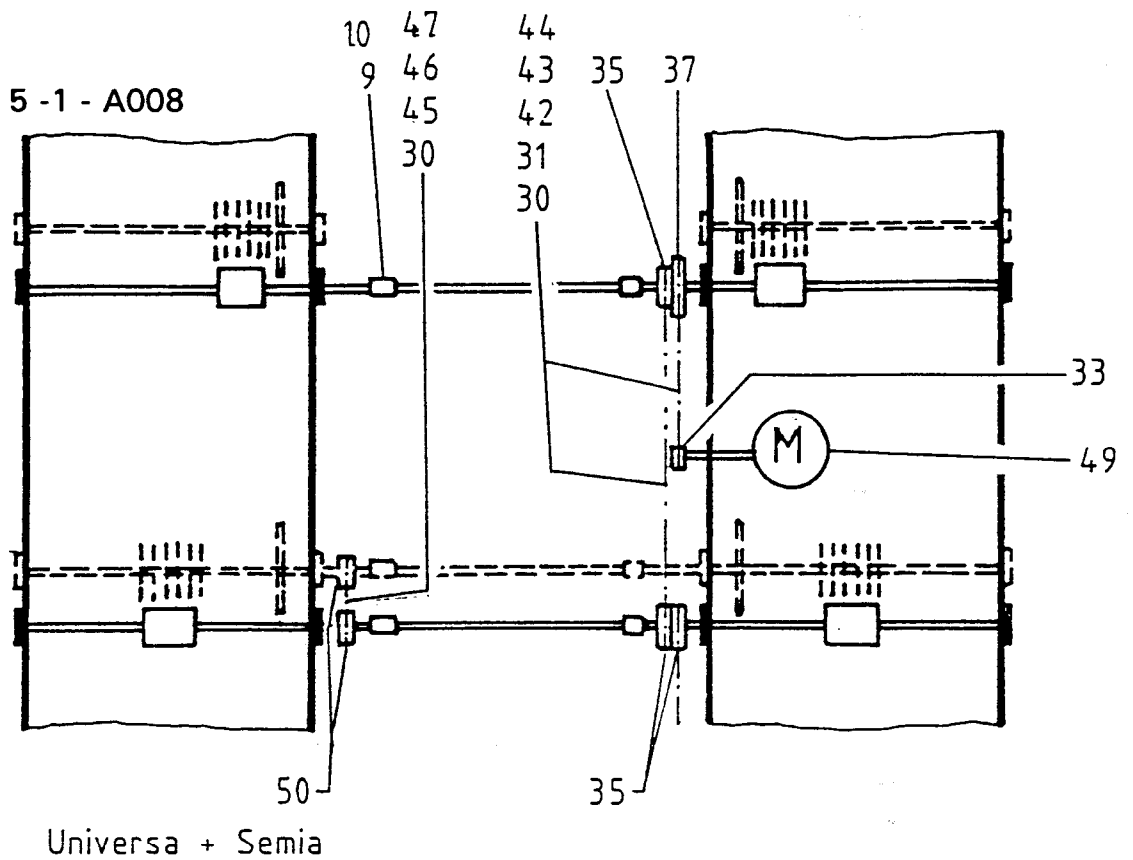


Elevator - Lift - Multitier M 797 E

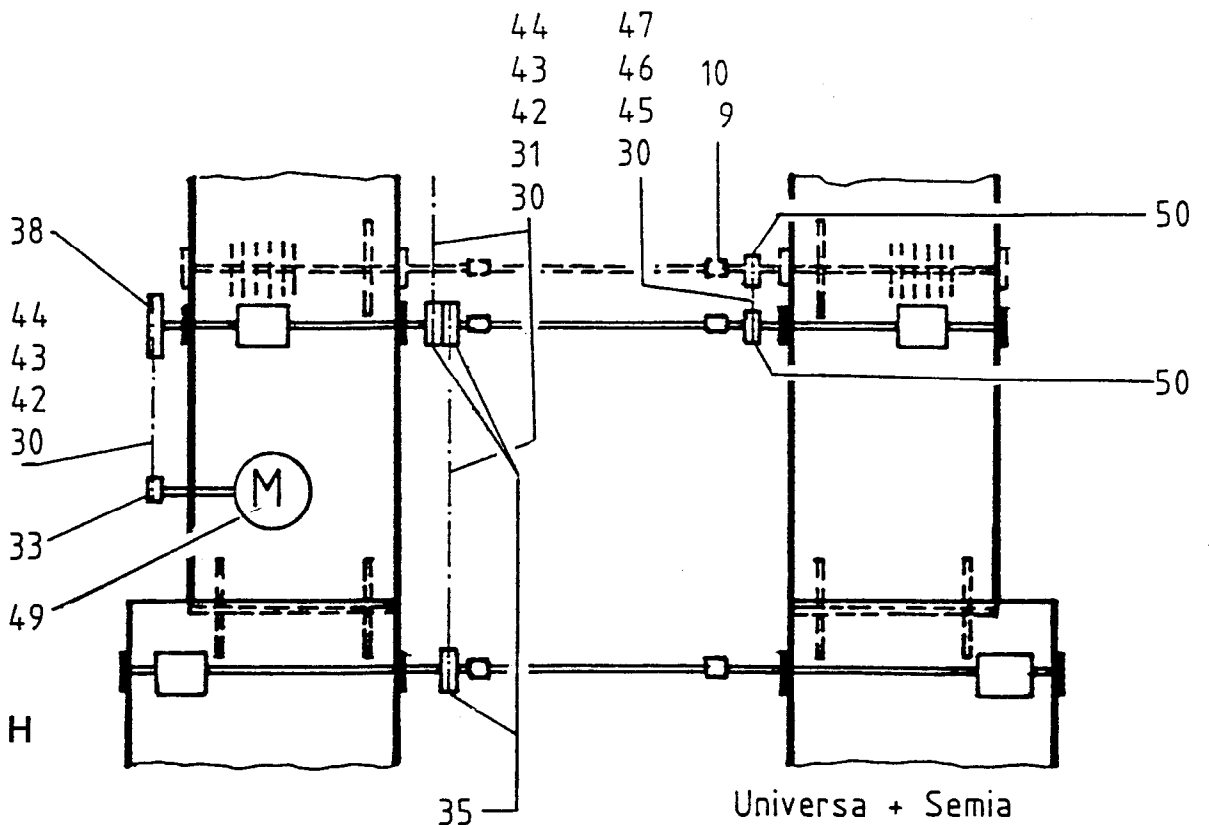
Figure 5

Drawing No. 5 - 1 - A008
 01. 02. 94

Section G



Section H



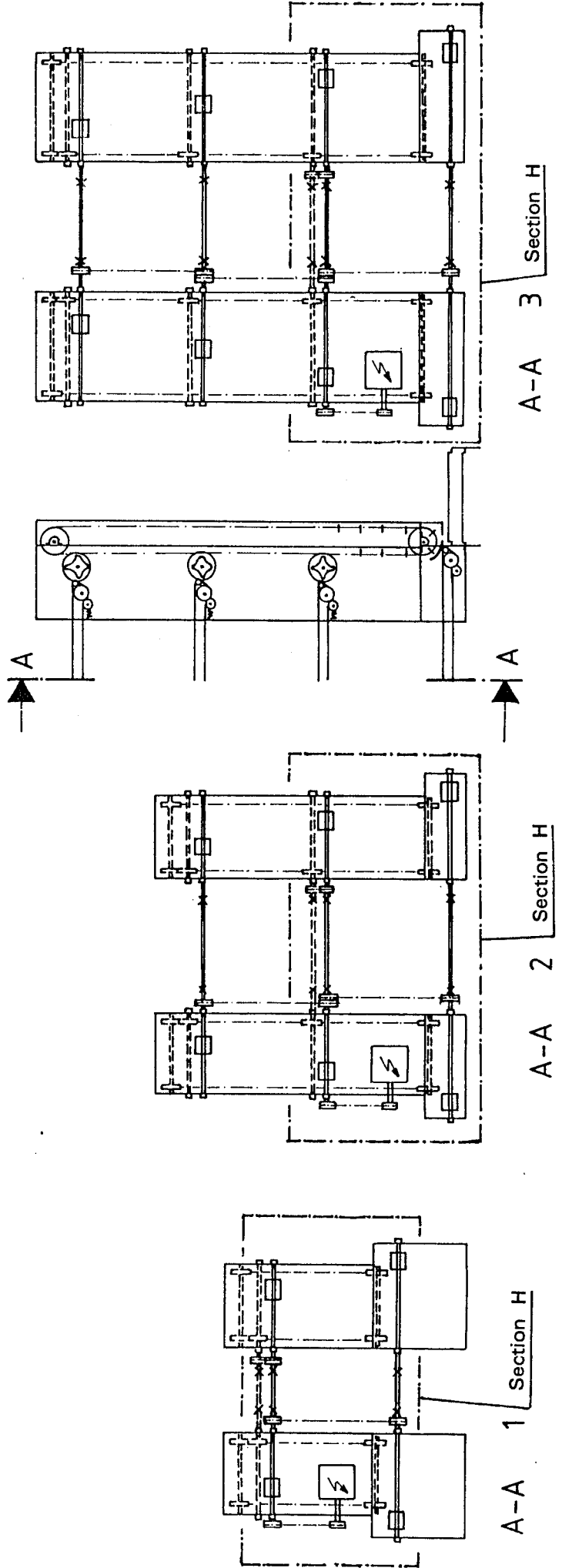
2.2 Survey of Elevators

Elevator BCB for cage systems: Universa 178 - 2, Universa 208 EG, Semia B

- A - A 1 Uni 178 - 2 38 74 3825
Uni 208 EG 38 86 3026
Semia B 38 74 3805
- A - A 2 Uni 178 - 2 38 74 3835
Uni 208 EG 38 86 3036
- A - A 3 Uni 178 - 2 38 74 3845

Figure 6

Drawing No. 5 - 1 - A009

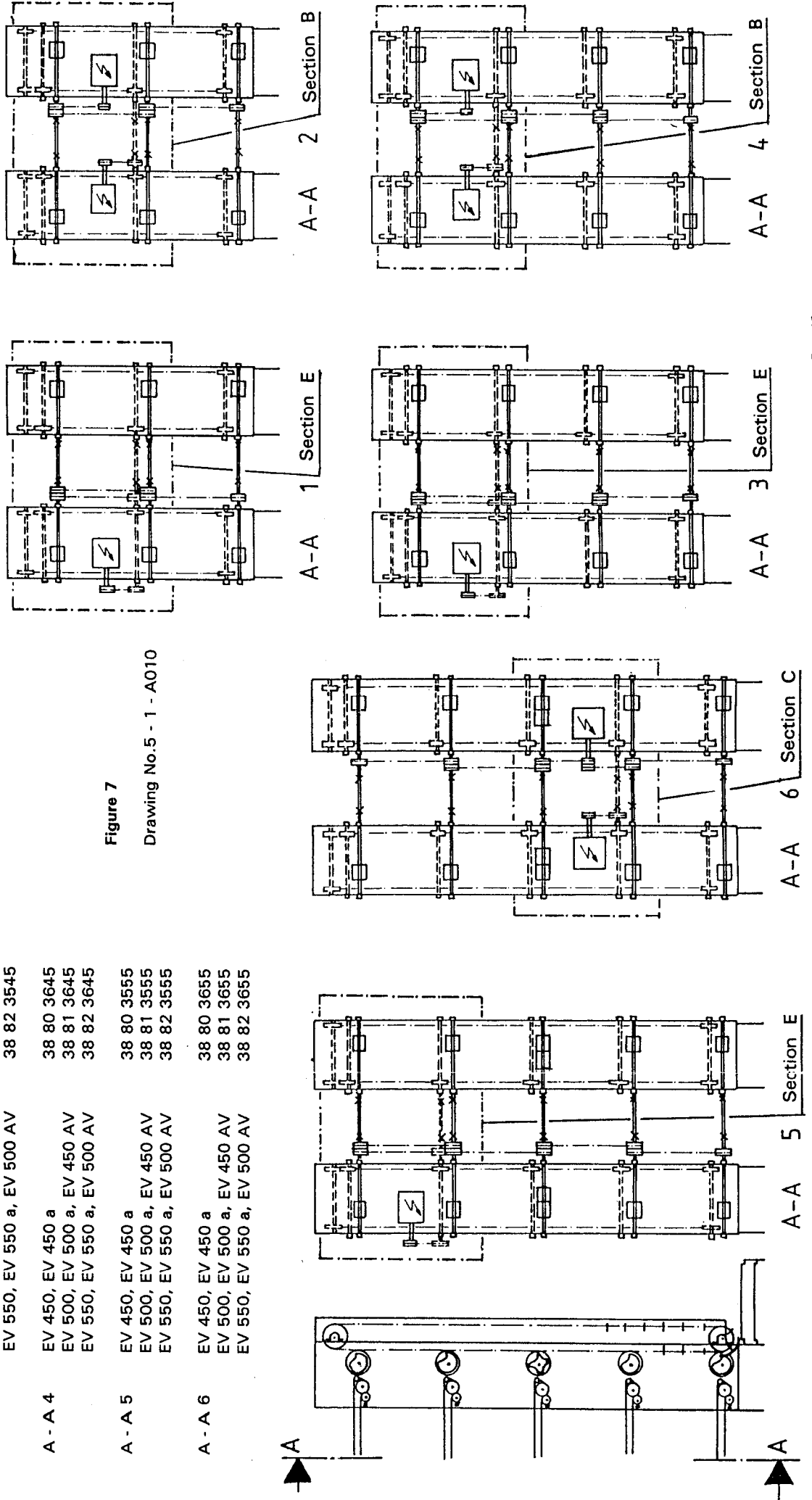


Elevator BCB for cage systems: EV 450, EV 450 a, EV 500, EV 500 a,
EV 450 AV, EV 550, EV 550 a, EV 500 AV

- A - A 1 EV 450, EV 450 a 38 80 3535
EV 500, EV 500 a, EV 450 AV 38 81 3535
EV 550, EV 550 a, EV 500 AV 38 82 3535
- A - A 2 EV 450, EV 450 a 38 80 3635
EV 500, EV 500 a, EV 450 AV 38 81 3635
EV 550, EV 550 a, EV 500 AV 38 82 3635
- A - A 3 EV 450, EV 450 a 38 80 3545
EV 500, EV 500 a, EV 450 AV 38 81 3545
EV 550, EV 550 a, EV 500 AV 38 82 3545
- A - A 4 EV 450, EV 450 a 38 80 3645
EV 500, EV 500 a, EV 450 AV 38 81 3645
EV 550, EV 550 a, EV 500 AV 38 82 3645
- A - A 5 EV 450, EV 450 a 38 80 3555
EV 500, EV 500 a, EV 450 AV 38 81 3555
EV 550, EV 550 a, EV 500 AV 38 82 3555
- A - A 6 EV 450, EV 450 a 38 80 3655
EV 500, EV 500 a, EV 450 AV 38 81 3655
EV 550, EV 550 a, EV 500 AV 38 82 3655

Figure 7

Drawing No.5 - 1 - A010



38 80 3765
38 81 3765
38 82 3765

EV 450, EV 450 a
EV 500, EV 500 a, EV 450 AV
EV 550, EV 550 a, EV 500 AV

A - A 1

38 80 3775
38 81 3775
38 82 3775

EV 450, EV 450 a
EV 500, EV 500 a, EV 450 AV
EV 550, EV 550 a, EV 500 AV

A - A 2

38 80 3785
38 81 3785
38 82 3785

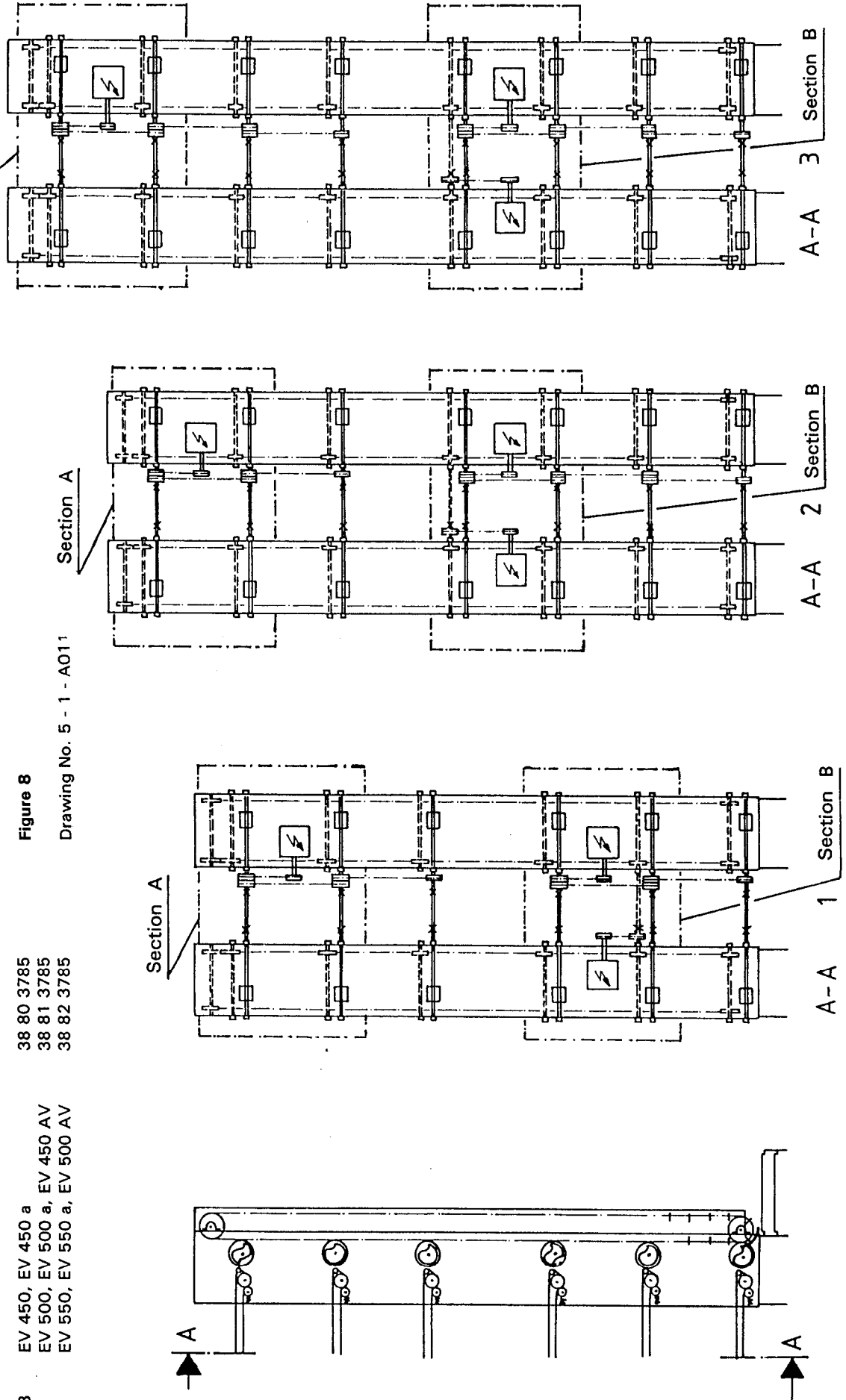
EV 450, EV 450 a
EV 500, EV 500 a, EV 450 AV
EV 550, EV 550 a, EV 500 AV

A - A 3

Elevator BCB for cage systems: EV 450, EV 450 a, EV 500, EV 500 a,
EV 450 AV, EV 550, EV 550 a, EV 500 AV

Figure 8

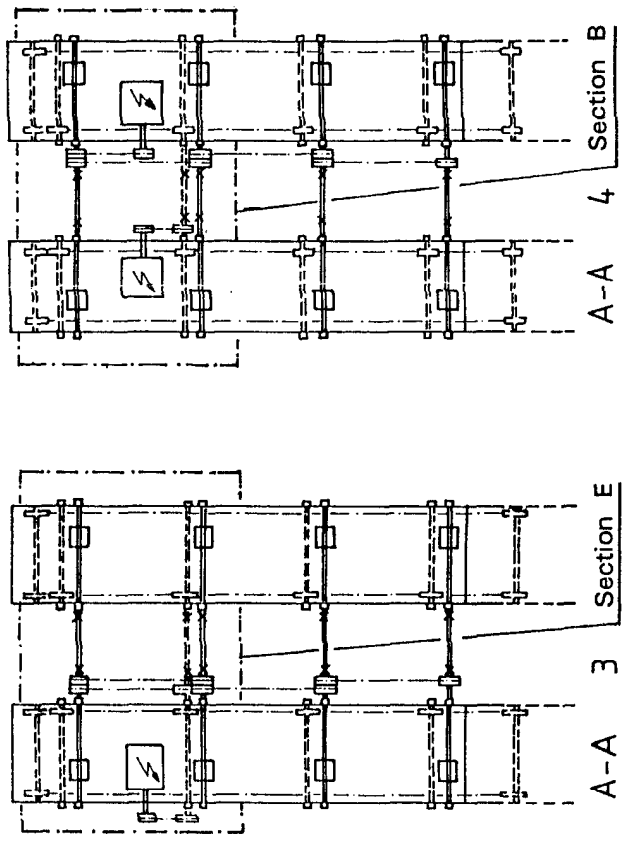
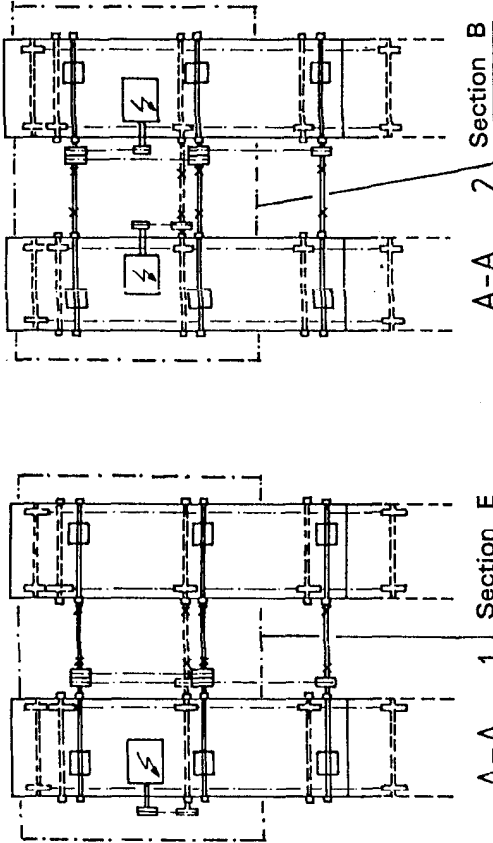
Drawing No. 5 - 1 - A011



A - A 4 EV 450, EV 450 a
 EV 500, EV 500 a, EV 450 AV
 EV 550, EV 550 a, EV 500 AV
 C 500

A - A 5 EV 450, EV 450 a
 EV 500, EV 500 a, EV 450 AV
 EV 550, EV 550 a, EV 500 AV

A - A 6 EV 450, EV 450 a
 EV 500, EV 500 a, EV 450 AV
 EV 550, EV 550 a, EV 500 AV
 C 500



38 85 3545
 38 85 3595
 38 85 3895
 39 84 3575

38 84 3555
 38 84 3605
 38 85 3865

38 85 3505
 38 85 3555
 38 85 3855
 39 84 3585

Elevator LCB for cage systems: EV 450, EV 450 a, EV 500, EV 500 a, EV 550, EV 550 a, EV 500 AV, C 500

A - A 1 EV 450, EV 450 a
 EV 500, EV 500 a, EV 450 AV
 EV 550, EV 550 a, EV 500 AV
 C 500

38 84 3535
 38 84 3585
 38 85 3585
 39 84 3515

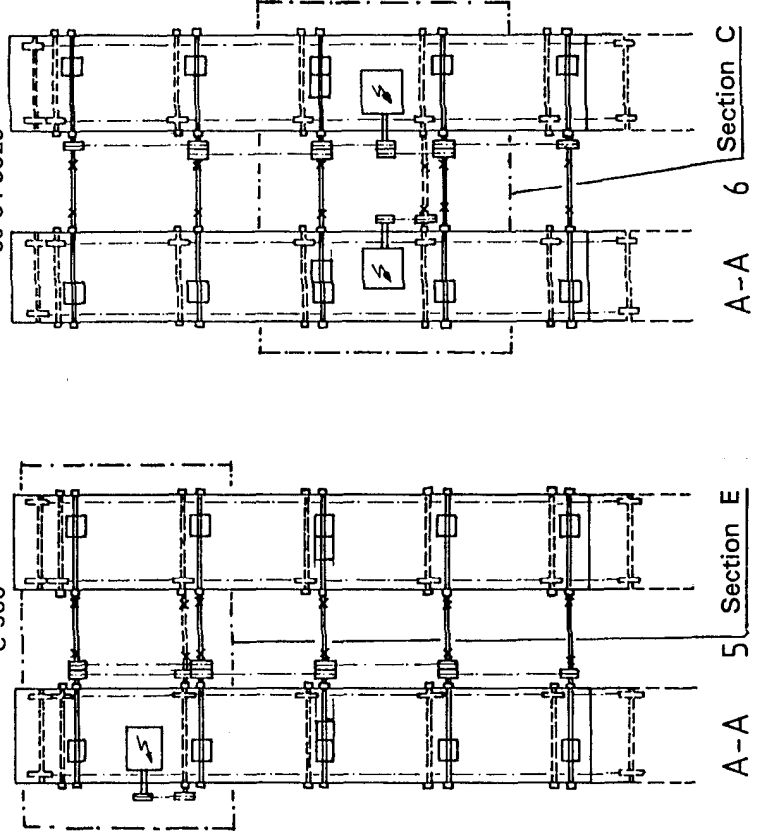
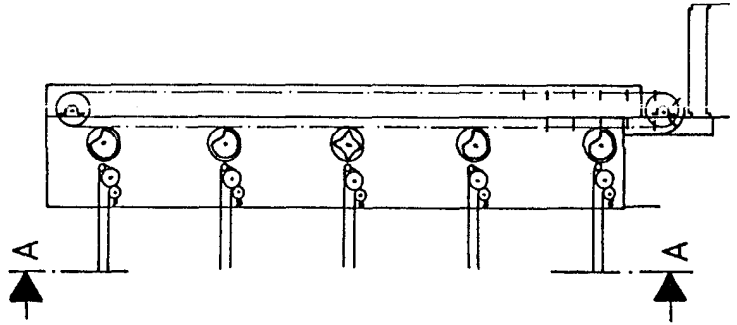
A - A 2 EV 450, EV 450 a
 EV 500, EV 500 a, EV 450 AV
 EV 550, EV 550 a, EV 500 AV
 C 500

38 85 3535
 38 85 3585
 38 85 3885
 39 84 3565

A - A 3 EV 450, EV 450 a
 EV 500, EV 500 a, EV 450 AV
 EV 550, EV 550 a, EV 500 AV
 C 500

38 84 3545
 38 84 3595
 38 85 3845
 39 84 3525

Figure 9
 Drawing No. 5 - 1 - A012



- A - A 1 EV 450, EV 450 a 38 85 3615
- EV 500, EV 500 a, EV 450 AV 38 85 3665
- EV 550, EV 550 a, EV 500 AV 38 86 3165

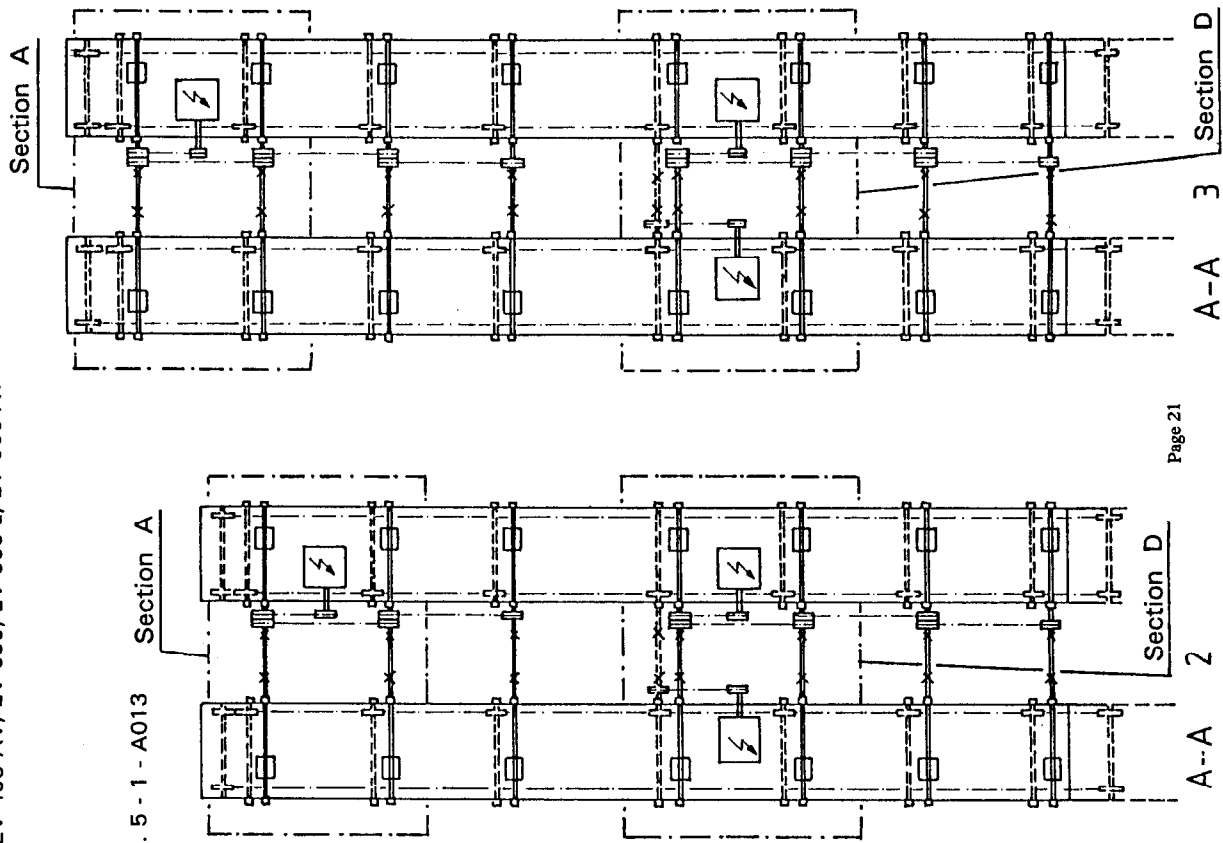
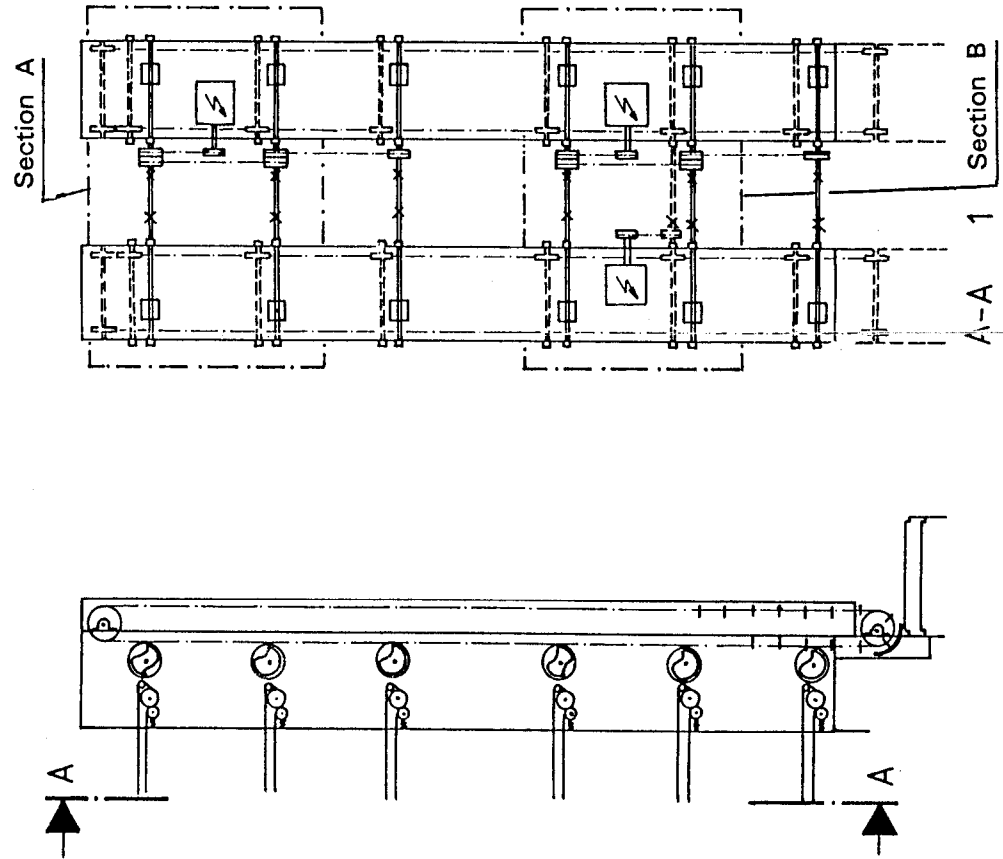
- A - A 2 EV 450, EV 450 a 38 85 3625
- EV 500, EV 500 a, EV 450 AV 38 85 3675
- EV 550, EV 550 a, EV 500 AV 38 86 3175

- A - A 3 EV 450, EV 450 a 38 85 3635
- EV 500, EV 500 a, EV 450 AV 38 85 3685
- EV 550, EV 550 a, EV 500 AV 38 86 3185

Elevator LCB for cage systems: EV 450, EV 450 a, EV 500, EV 500 a,
EV 450 AV, EV 550, EV 550 a, EV 500 AV

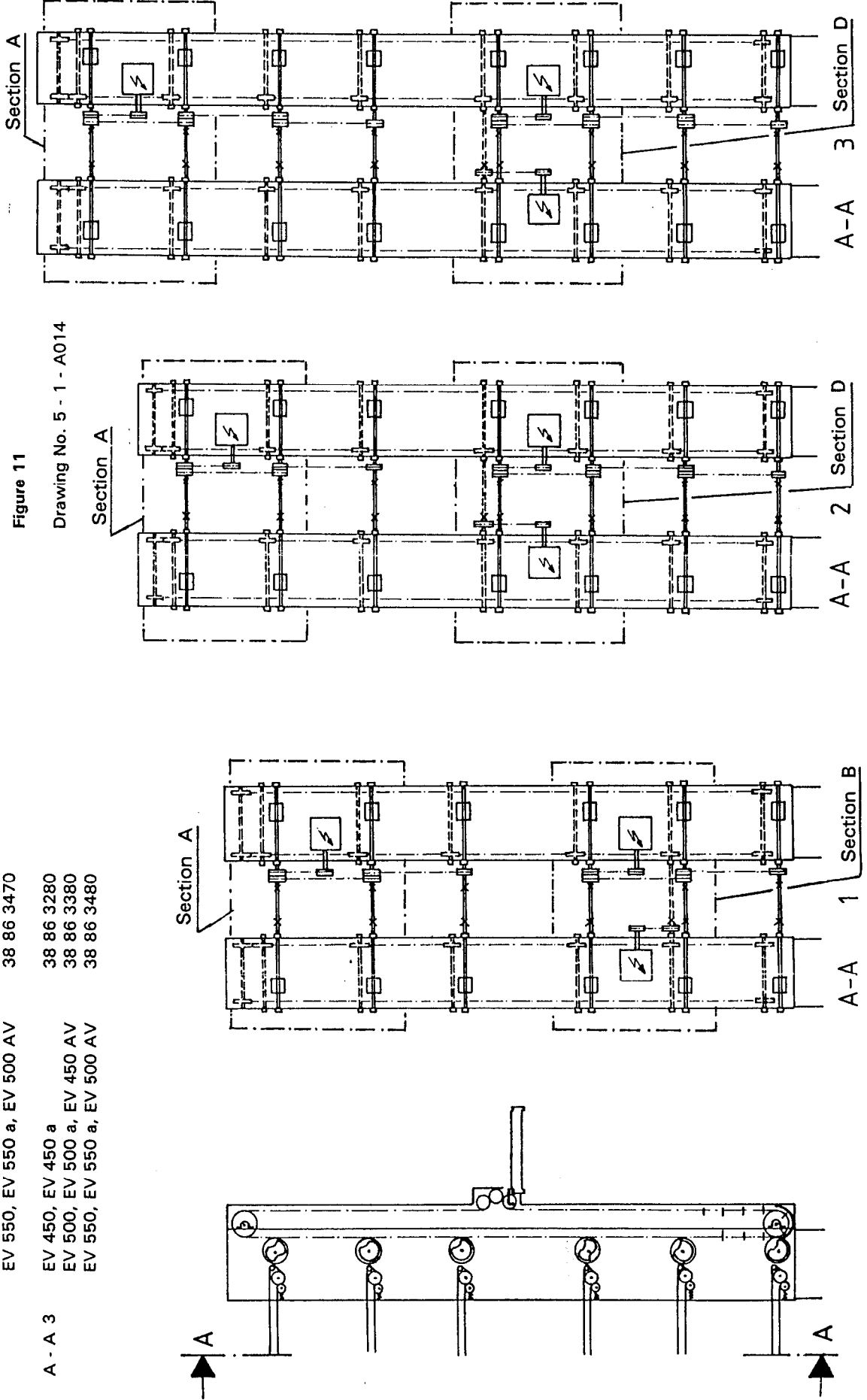
Figure 10

Drawing No. 5 - 1 - A013



- | | | |
|---------|--|--|
| A - A 1 | EV 450, EV 450 a
EV 500, EV 500 a, EV 450 AV
EV 550, EV 550 a, EV 500 AV | 38 86 3260
38 86 3360
38 86 3460 |
| A - A 2 | EV 450, EV 450 a
EV 500, EV 500 a, EV 450 AV
EV 550, EV 550 a, EV 500 AV | 38 86 3270
38 86 3370
38 86 3470 |
| A - A 3 | EV 450, EV 450 a
EV 500, EV 500 a, EV 450 AV
EV 550, EV 550 a, EV 500 AV | 38 86 3280
38 86 3380
38 86 3480 |

Figure 11
Drawing No. 5 - 1 - A014



Elevator - Lift - Multitier M 797 E

Elevator B 80 and B 210 cage systems: EV 450, EV 450 a, EV 500, EV 500 a, EV 450 AV, EV 550, EV 550 a, EV 500 AV, C 500

A - A 1	EV 450, EV 450 a	38 86 3530 Q 210
	EV 500, EV 500 a, EV 450 AV	38 86 3630 Q 210
	EV 550, EV 550 a, EV 500 AV	38 86 3730 Q 210
	EV 450, EV 450 a	38 87 3335 Q 80
	EV 500, EV 500 a, EV 450 AV	38 87 3435 Q 80
	EV 550, EV 550 a, EV 500 AV	38 87 3535 Q 80
	C 500	38 87 3735 Q 80
A - A 2	EV 450, EV 450 a	38 86 3230 Q 210
	EV 500, EV 500 a, EV 450 AV	38 86 3330 Q 210
	EV 550, EV 550 a, EV 500 AV	38 86 3430 Q 210
	C 500	39 86 3830 Q 210
A - A 3	EV 450, EV 450 a	38 86 3540 Q 210
	EV 500, EV 500 a, EV 450 AV	38 86 3640 Q 210
	EV 550, EV 550 a, EV 500 AV	38 86 3740 Q 210
	EV 450, EV 450 a	38 87 3345 Q 80
	EV 500, EV 500 a, EV 450 AV	38 87 3445 Q 80
	EV 550, EV 550 a, EV 500 AV	38 87 3545 Q 80
A - A 4	EV 450, EV 450 a	38 86 3240 Q 210
	EV 500, EV 500 a, EV 450 AV	38 86 3340 Q 210
	EV 550, EV 550 a, EV 500 AV	38 86 3440 Q 210
	C 500	38 86 3840 Q 210
A - A 5	EV 450, EV 450 a	38 86 3550 Q 210
	EV 500, EV 500 a, EV 450 AV	38 86 3650 Q 210
	EV 550, EV 550 a, EV 500 AV	38 86 3750 Q 210
A - A 6	EV 450, EV 450 a	38 86 3250 Q 210
	EV 500, EV 500 a, EV 450 AV	38 86 3350 Q 210
	EV 550, EV 550 a, EV 500 AV	38 86 3450 Q 210
	C 500	38 86 3850 Q 210

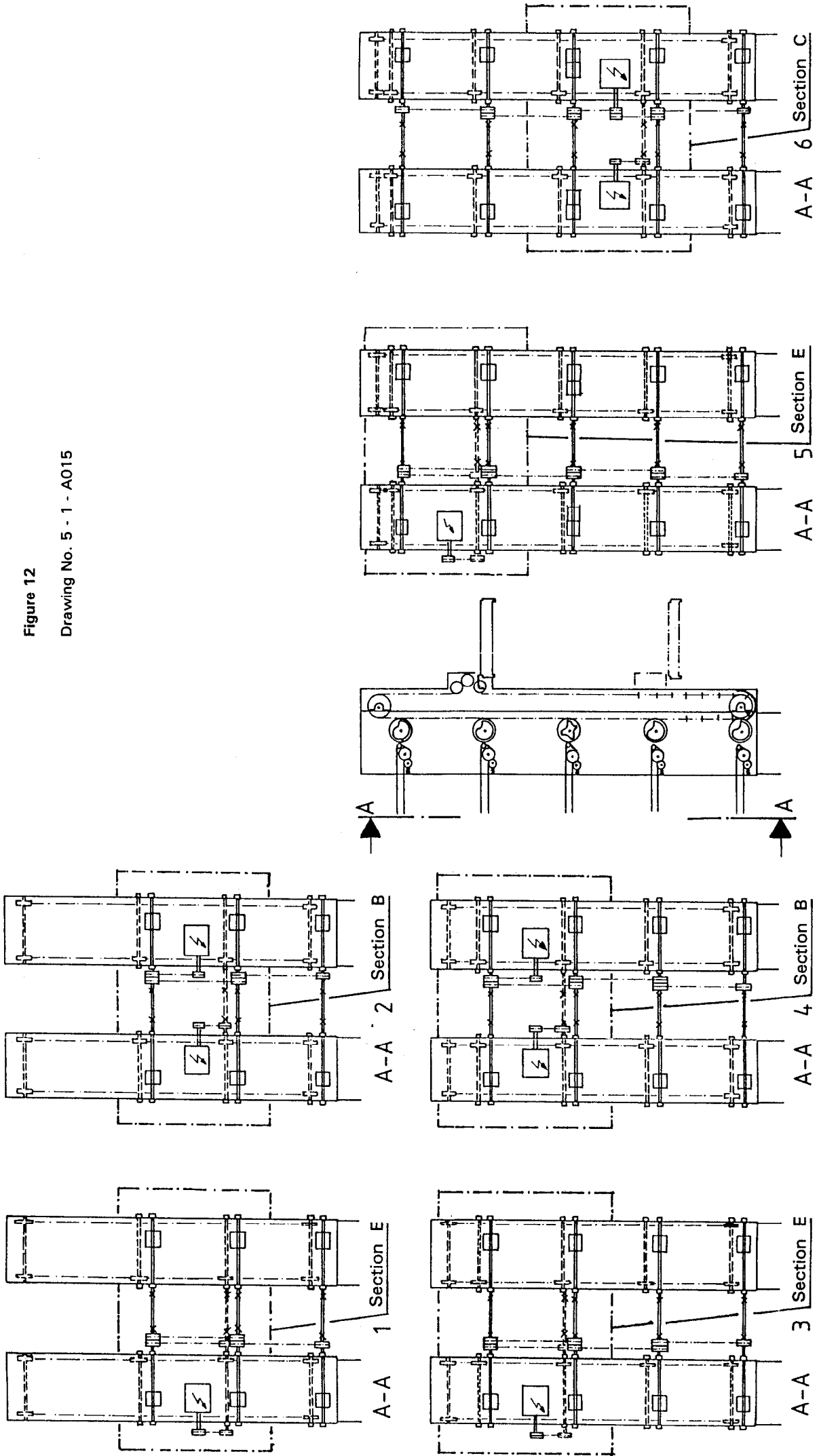


Figure 12

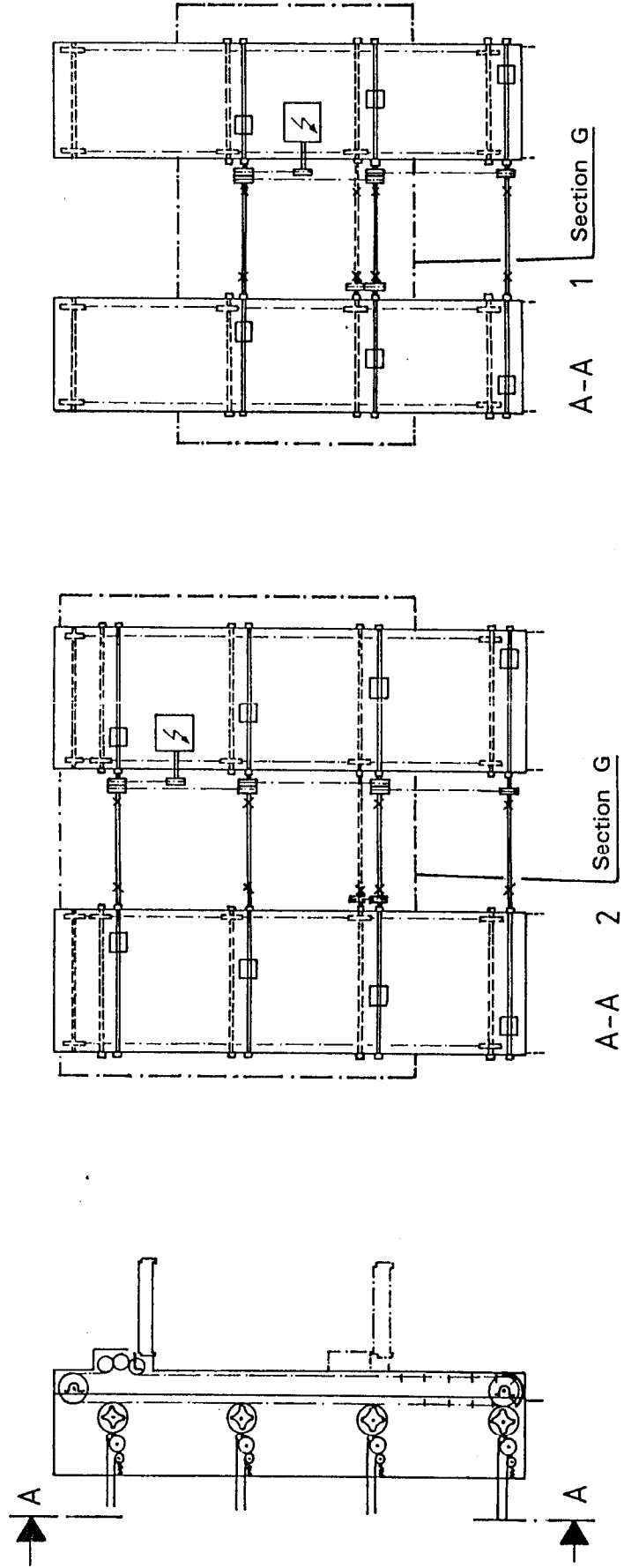
Drawing No. 5 - 1 - A015

Elevator B 80 and B 210 for cage systems: Universa 178 - 2, Universa 208 EG

A - A 1	Uni 178 - 2	38 87 3235 Q 80
	Uni 208 EG	38 87 3135 Q 80
	Uni 178 - 2	38 86 3930 Q 210
	Uni 208 EG	38 87 3030 Q 210
A - A 2	Uni 178 - 2	38 77 3245 Q 80
	Uni 178 - 2	38 86 3940 Q 210

Figure 13

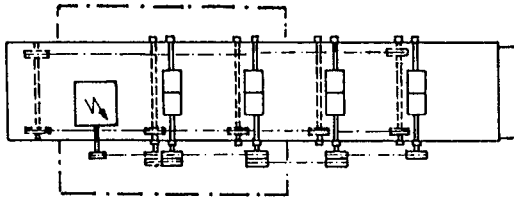
Drawing No. 5 - 1 - A016



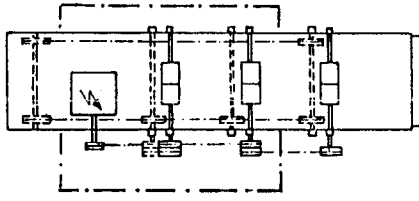
Elevator Natura B 80 and Elevator Natura B 80, double

Figure 14

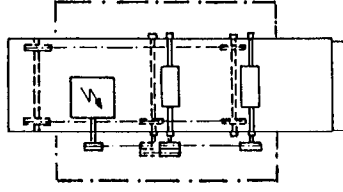
Drawing No. 5 - 1 - A017



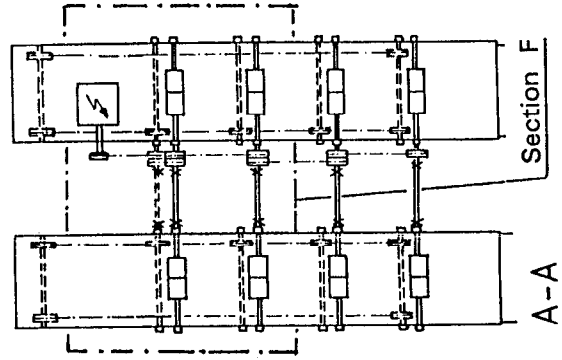
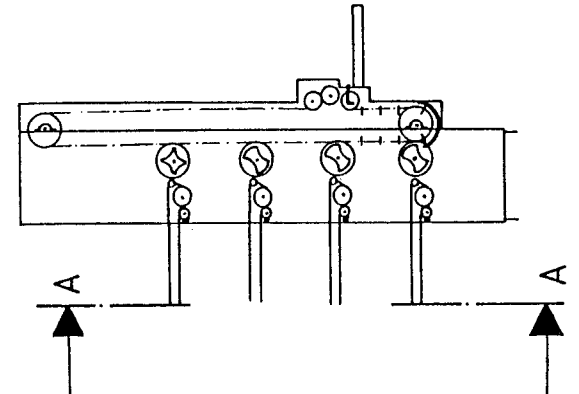
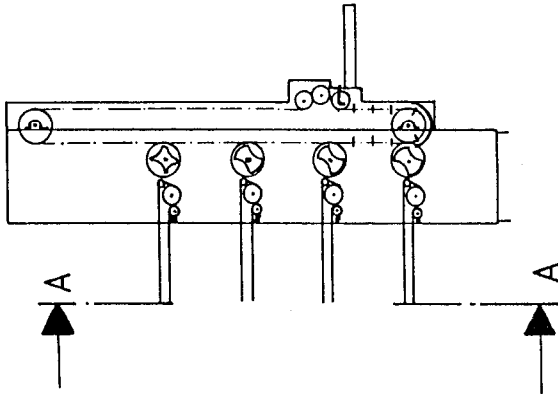
A-A Section F
36 00 3114



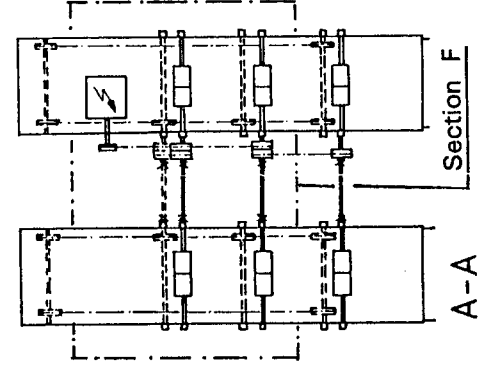
A-A Section F
36 00 3113



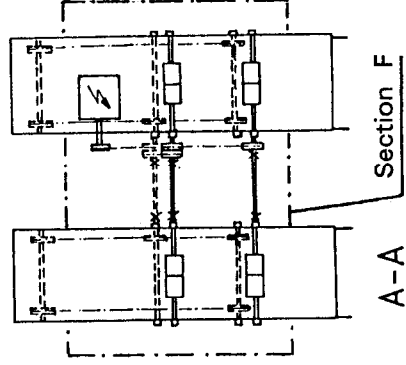
A-A Section F
36 00 3112



A-A
36 00 3124



A-A
36 00 3123



A-A
36 00 3122

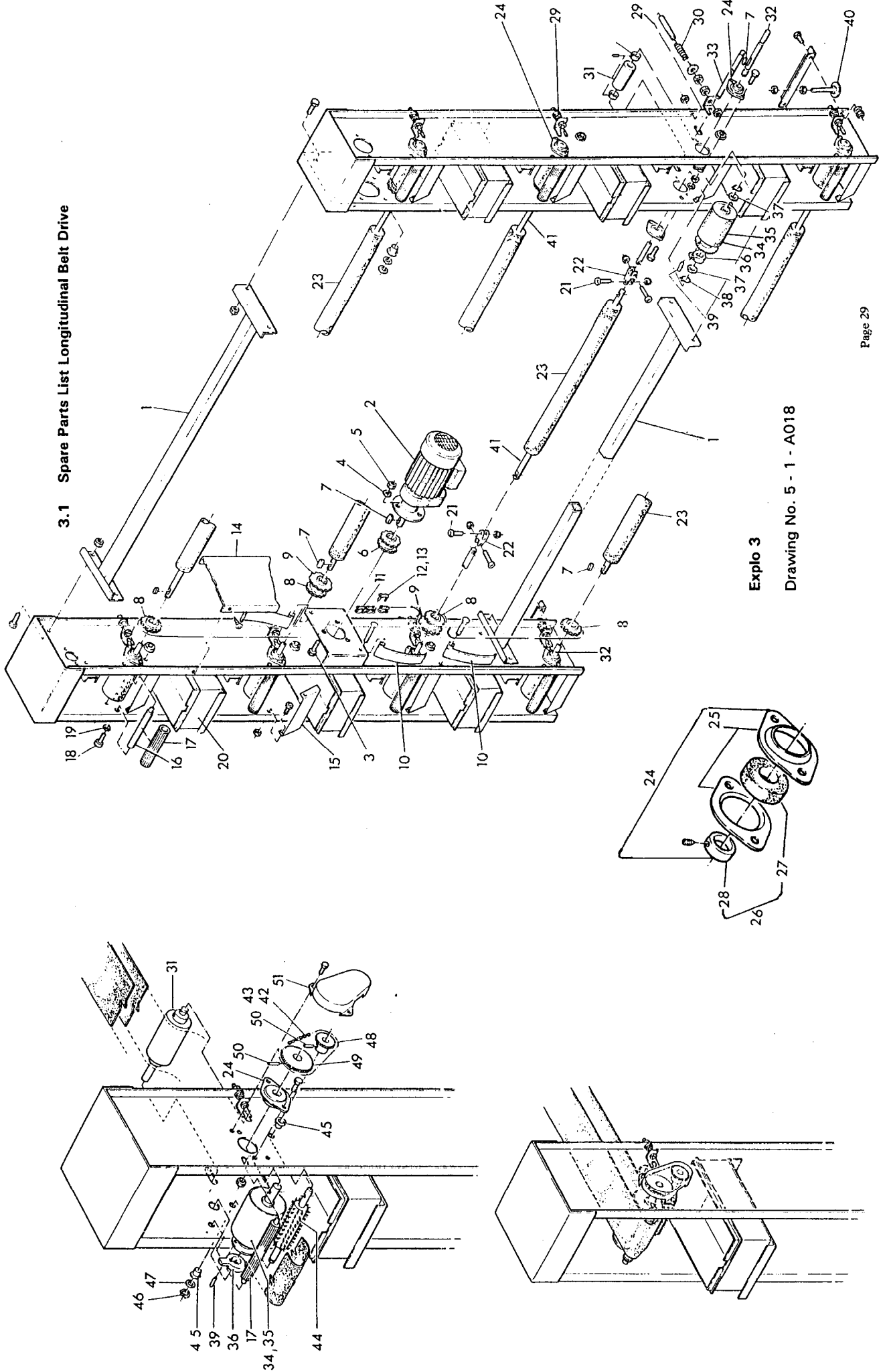
3. Longitudinal Belt and Lift Drives

3.1 Spare Parts List Longitudinal Belt Drive

Pos.	Code - No.	Designation
1		Connection f / side parts
2	90 00 3824	Mot - g 0,37 KW, 220 / 380 V, 50 Hz, 27 r, Shaft \varnothing 20 x 40
3	99 10 1088	Hexagon head screw M 6 x 20 DIN 558
4	99 20 1070	Spring washer A 6 DIN 127
5	99 10 1045	Hexagon nut M 6 DIN 934
6	38 73 3506	Chain wheel 1 / 2", 16 t, b 20, double
7	99 50 3801	Key 6 x 6 x 25 DIN 6885
8	38 94 3628	Chain wheel 1 / 2", 20 t, b 20, single
9	38 94 3528	Chain wheel 1 / 2", 38 t, b 20, single
10	38 94 3645	Tensioner f / chain cpl 85 lg
11	99 98 8140	Roller chain 1 / 2" RE 222
12	99 50 1241	Chain joint 1 / 2" x 5 / 16"
13	99 50 1324	Chain link cranked 1 / 2"
14		Cover f / roller chain 2- sections, 3 -, 4-, 5 t
15	38 73 3448	Deflector of dirt f / Lift
16	38 73 3446	Axle \varnothing 13 - 188 w / internal screw thread
17	38 73 3464	Pipe PA \varnothing 25 - 174, Lift + LB
18	99 10 1668	Hexagon socket head cap screw M 8 x 16 DIN 912
19	99 50 1063	Spring washer A 8 DIN 127
20	38 92 3625	Collecting box for dirt PVC f / lift and l - belt
21	38 94 3553	Hexagon socket screw M 6 x 50 elevator
22	38 94 3554	Universal joint f / connection shaft Elevator cpl
23		Cover pipe PVC
24	38 94 3583	Flange bearing PE \varnothing 20, 2 hole cpl
25	38 94 3579	Housing f / flange bearing \varnothing 20, 2 hole
26	38 94 3580	Bearing PE 47 x 20 - 14 w / adjusting ring
27	38 94 3581	Bearing PE - UHMW 47 x 20 -14
28	38 94 3578	Adjusting ring \varnothing 20 x 30 - 14
29	37 73 3402	Tightener f / pressure roller cpl
30	38 92 3509	Compression spring f / drive longitudinal belt
31	38 94 3519	Press. roller PVC \varnothing 20 x \varnothing 60 - 110 f / elevator
32	38 73 3524	Shaft f / drive roller \varnothing 20 x 360
33	38 73 3425	Shaft \varnothing 20 x 225 f / pressure roller
34	38 94 3524	Drive roller new cpl \varnothing 20 x 100 elevator
35	38 94 3575	Drive roller \varnothing 20 x 100 f / elevator
36	38 94 3576	Pusher f / drive roller elevator
37	99 50 3902	Shim ring 20 x 28 x 0,5, DIN 988

Pos.	Code - No.	Designation
38	99 50 3742	Retaining ring A 20 x 1,2, DIN 471
39	38 94 3503	Shear pin \varnothing 3 x 25 steel
40	38 98 3611	Foot fully threaded
41	38 73 3467	Shaft \varnothing 20 x 511 EV 450
	38 73 3468	Shaft \varnothing 20 x 611 EV 500
	38 73 3469	Shaft \varnothing 20 x 711 EV 550
	38 73 3470	Shaft \varnothing 20 x 811 EV 550 AV, C 500, CB 150
42	99 98 8149	Roller chain 3 / 8"
43	99 94 3544	Chain joint 3 / 8"
44		Egg belt brush f / Elevator
45		Plain bearing b 10 / 12 - 7
46	99 50 3741	Retaining ring DIN 471 10 x 1
47	99 50 1090	Washer B 10 DIN 125
48		Chain wheel 3 / 8", 13 t, b 10 single
49		Chain wheel 3 / 8", 25 t, b 20 single
50		Dowel pin \varnothing 4 x 28 DIN 1481
51		Guard f / chain drive f / egg belt cleaner

3.1 Spare Parts List Longitudinal Belt Drive



Explo 3

Drawing No. 5 - 1 - A018

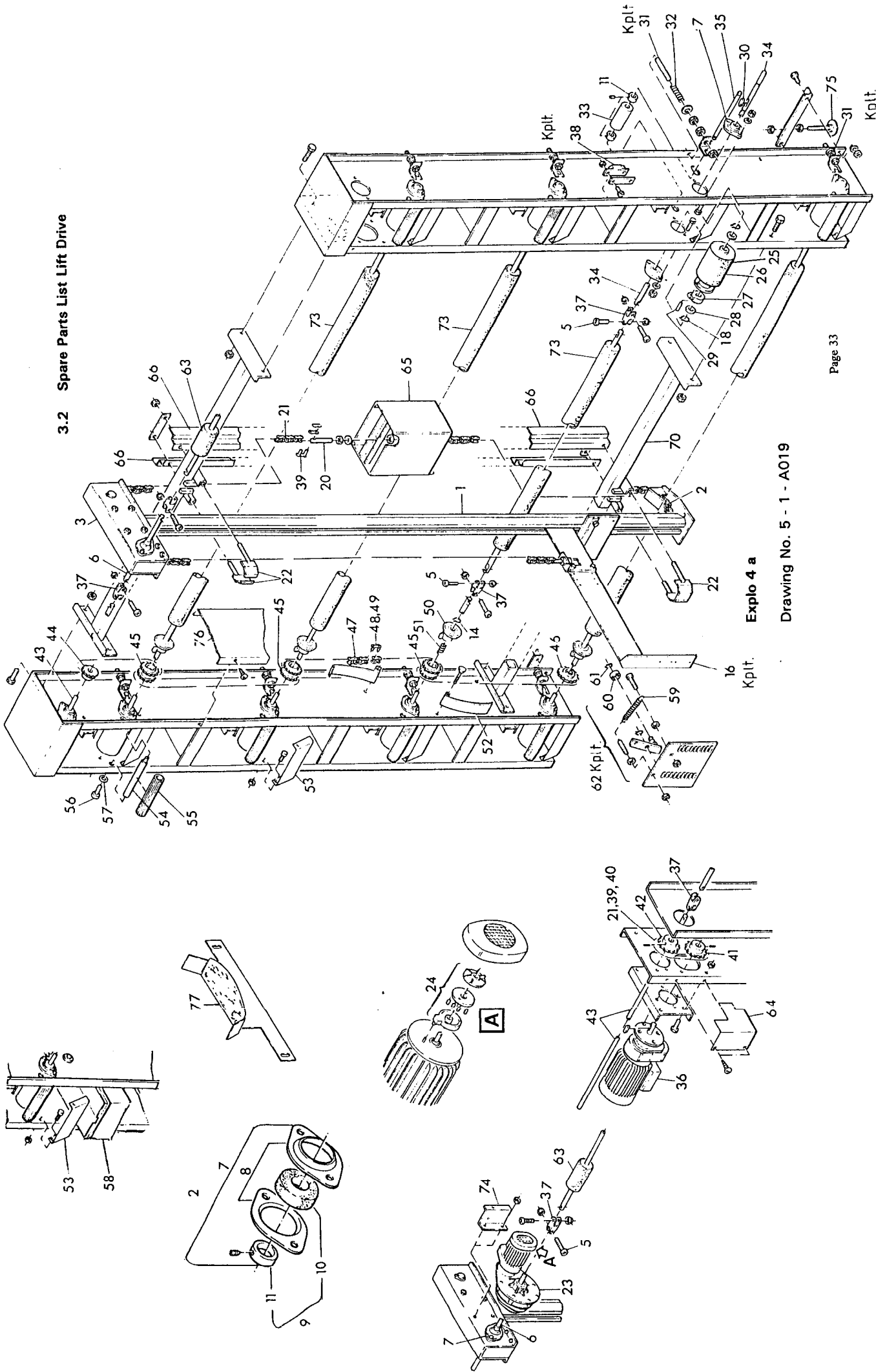
3.2 Spare Parts List Lift Drive

Pos.	Code - No.	Designation
1	38 73 3401	Column separate
2	38 73 3402	Idler PA 1 / 2" cpl f / roller chain of column f / lift
3	38 73 3403	Column head cpl
4	38 73 3404	Cardan joint \varnothing 20
5	38 94 3553	Hexagon socket screw M 6 x 50 elevator
6	38 73 3406	Shaft \varnothing 20 x 360
7	38 94 3583	Flange bearing PE \varnothing 20, 2 hole cpl
8	38 94 3579	Housing f / flange bearing \varnothing 20 - 2 hole
9	38 94 3580	Bearing PE 47 x 20 - 14 w / adjusting ring
10	38 94 3581	Bearing PE - UHMW 47 x 20 -14
11	38 94 3578	Adjusting ring \varnothing 20 x 30 - 14
12	38 94 3628	Chain wheel 1 / 2", 22 t, b 20 single
13	38 73 3409	Axle \varnothing 25 x 75
14	99 50 3825	Retaining ring 25 x 1,2 DIN 471
15	38 73 3411	Chain wheel w / bearing 1 / 2", 22 t, b 25
16	38 73 3412	Lifter trolley cpl
17	99 98 4604	Ball bearing 6204 ZZ
18	99 50 3742	Retaining ring 20 x 1,2 DIN 471
19	38 73 3415	Axle \varnothing 20 x 47
20	38 73 3416	Thread bolt f / roller chain 1 / 2" M 12 cpl
21	99 98 8140	Roller chain 1 / 2" RE 222
22	38 73 3418	Clip f / column f / Lift
23	90 00 3826	Mot - g 0,37 KW, 220 / 380 V, 50 Hz, 4,2 r Hollow shaft \varnothing 20 + brake
24	38 73 3420	Brake f / gear motor 90 00 3826
25	38 94 3524	Drive roller new cpl \varnothing 20 x 100 elevator
26	38 94 3575	Drive roller \varnothing 20 x 100 f / elevator
27	38 94 3576	Pusher f / drive roller elevator
28	99 50 3902	Shim ring 20 x 28 x 0,5, DIN 988
29	38 94 3503	Shear pin \varnothing 3 x 25 steel
30	99 50 3801	Key 6 x 6 x 25 DIN 6885
31	37 73 3402	Tightener f / pressure roller cpl
32	38 92 3509	Compression spring f / drive longitudinal belt
33	38 94 3519	Press. roller PVC \varnothing 20 x \varnothing 60 - 110 f / elevator
34	38 73 3524	Shaft f / drive roller \varnothing 20 x 360
35	38 73 3425	Shaft \varnothing 20 x 225 f / pressure roller
36	90 00 3824	Mot - g 0,37 KW, 220 / 380 V, 50 Hz, 27 r shaft \varnothing 20
37	38 94 3554	Universal joint f / connecting shaft
38	38 73 3428	Contact mechanism

Pos.	Code - No.	Designation
39	99 50 1241	Chain joint 1 / 2" x 5 / 16"
40	99 50 1324	Chain link cranked 1 / 2"
41	38 90 3628	Chain wheel 1 / 2", 12 t, b 20 single
42	38 94 3629	Chain wheel 1 / 2", 16 t, b 20 single
43	38 73 3495	Main drive shaft f / longitud belt 1003 KB 120
	38 73 3496	Main drive shaft f / longitud belt 1103 KB 130
	38 73 3497	Main drive shaft f / longitud belt 1203 KB 140
	38 73 3498	Main drive shaft f / longitud belt 1218 CB 140
	38 73 3499	Main drive shaft f / longitud belt 1318 CB 150
44	38 94 3529	Chain wheel 3 / 8", 16 t, b 20 mm single
45	38 73 3439	Chain wheel 3 / 8", 25 t, b 20 double w / ball bearing 6004 ZZ
46	38 73 3440	Chain wheel 3 / 8", 25 t, b 20 single w / ball bearing 6004 ZZ
47	99 98 8149	Roller chain 3 / 8"
48	99 94 3544	Chain joint 3 / 8"
49	99 94 3543	Chain joint cranked 3 / 8"
50	38 73 3444	Slide coupler
51	38 73 3445	Compression spring 22,6 x 70 f / slide coupler
52	38 94 3645	Tensioner f / chain cpl 85 lg
53	38 73 3448	Deflector of dirt f / Lift
54	38 73 3446	Axle \varnothing 13 - 188 w / internal screw thread
55	38 73 3464	Pipe PA \varnothing 25 x 174, Lift + LB
56	99 10 1668	Hexagon socket head cap screw M 8 x 16 DIN 912
57	99 50 1063	Spring washer A 8 DIN 127
58	38 92 3625	Collecting box for dirt PVC f / lift and l - belt
59	37 76 3812	Tension spring \varnothing 18 x 70
60	99 98 4602	Ball bearing 6202 ZZ
61	99 50 1456	Retaining ring 15 x 1 DIN 471
62	38 73 3452	Actuating f / coupler of Lift
63	38 73 3453	Cover f / universal joint
64	38 73 3454	Cover f / L - B - Mot.
65	38 73 3455	Container f / bob weight
66	38 73 3459	Cover f / lifting chain
67	38 73 3457	Shaft \varnothing 20 x 100, 1 boring \varnothing 5 mm
68	37 73 3023	Shaft \varnothing 30 x 3000 (precision)
69	38 73 3460	Cover f / column head
70		Connecting f / side part
71	99 50 3908	Shinring 25 x 36 x 0,5 DIN 988
72	38 73 3462	Distance pipe \varnothing 32 x 25,5 - 20
73		Cover pipe PVC
74	38 73 3466	Support f / motor p / column head
75	38 98 3611	Foot fully threaded

Pos.	Code - No.	Designation
76		Guard - catenarian curve
77	37 72 3001	Egg transfer w / padding 425 Uni 178
	37 72 3002	Egg transfer w / padding 470 Uni 195 / 208
	37 72 3003	Egg transfer w / padding 565 Uni 178
	38 72 3401	Egg transfer w / padding 140 CB / KB / EV
78	38 73 3467	Shaft \varnothing 20 x 511 EV 450
	38 73 3468	Shaft \varnothing 20 x 611 EV 500
	38 73 3469	Shaft \varnothing 20 x 711 EV 550
	38 73 3470	Shaft \varnothing 20 x 811 EV 550 AV, C 500, CB 150
44		Egg belt brush f / Elevator
45		Plain bearing b 10 / 12 - 7
46	99 50 3741	Retaining ring DIN 471 10 x 1
47	99 50 1090	Washer B 10 DIN 125
48		Chain wheel 3 / 8", 13 t, b 10 single
49		Chain wheel 3 / 8", 25 t, b 20 single
50		Dowel pin \varnothing 4 x 28 DIN 1481
51		Guard f / chain drive f / egg belt cleaner

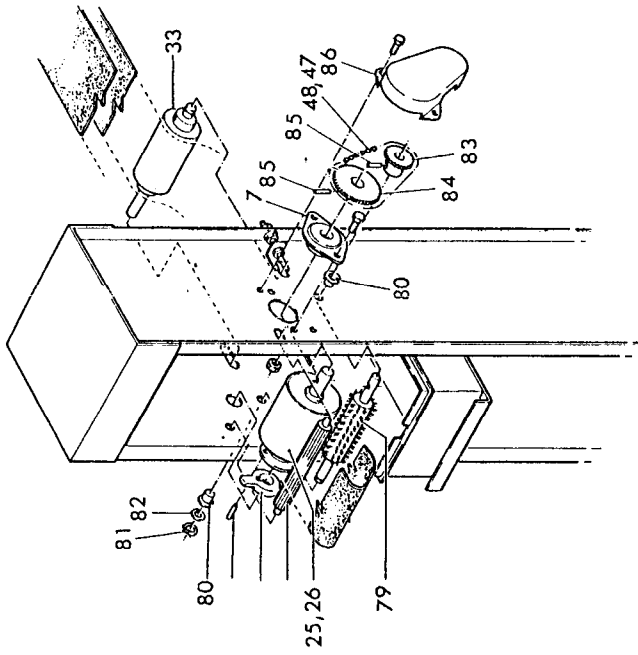
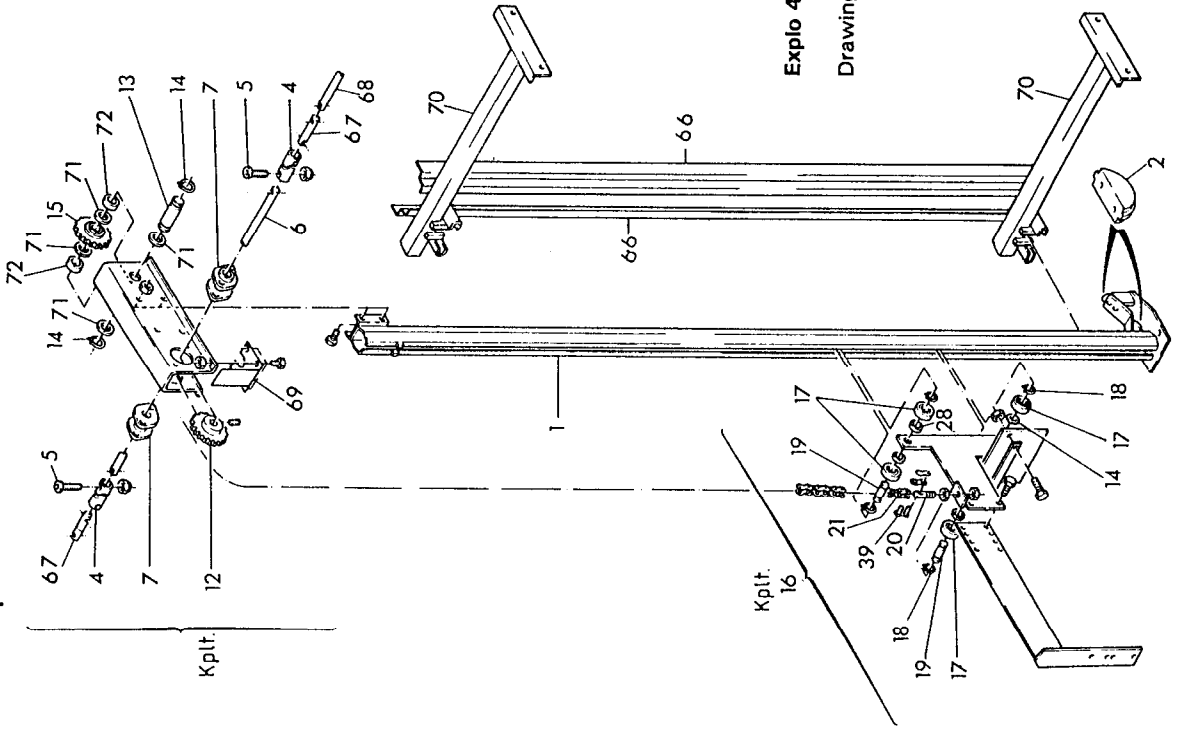
3.2 Spare Parts List Lift Drive



Explo 4 a

Drawing No. 5 - 1 - A019

3.2 Spare Parts List Lift Drive



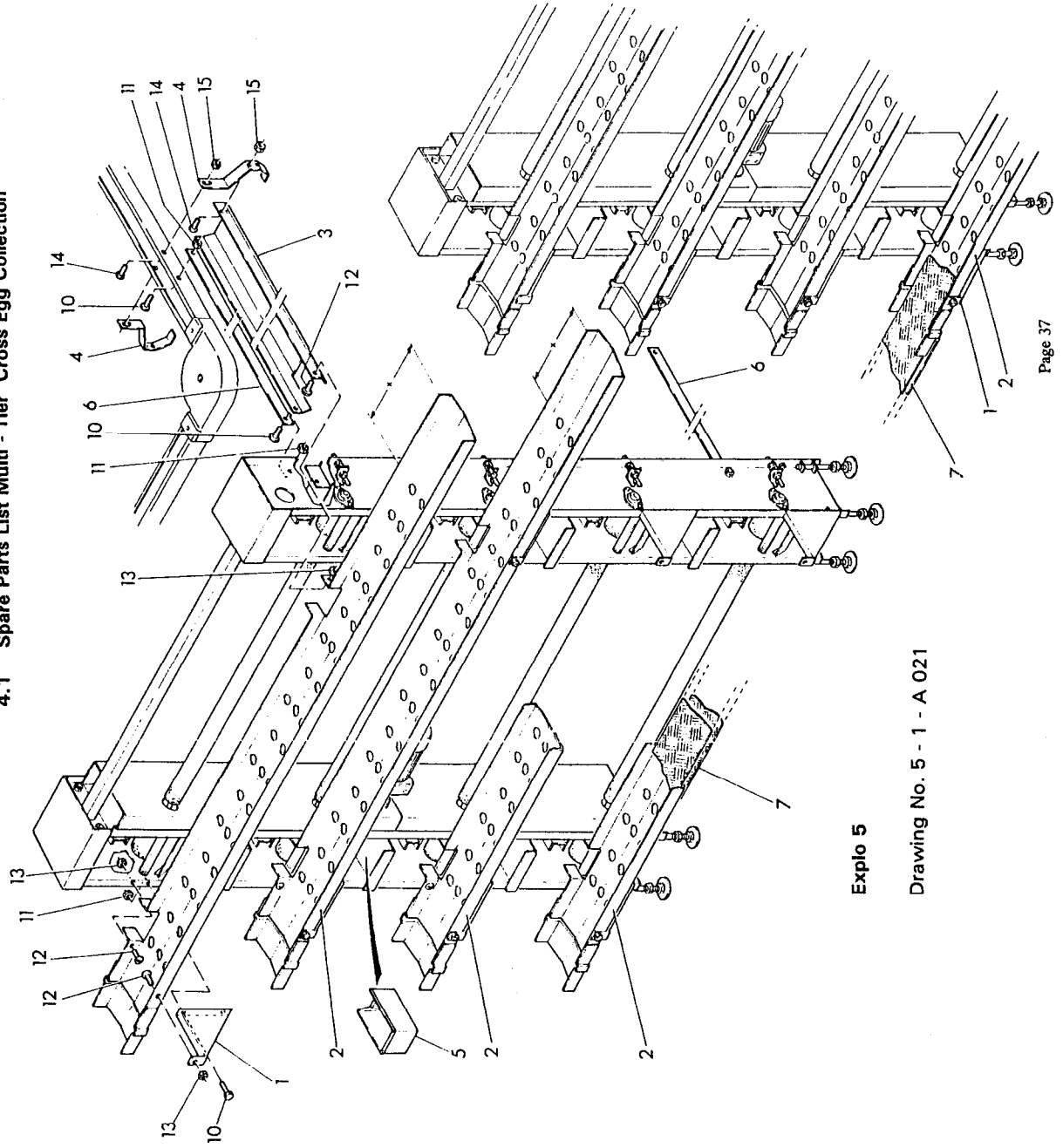
4. Longitudinal Egg Collection with Cross Collection " MULTITIER "

4.1 Spare Parts List Multi - Tier Cross Egg Collection

Pos.	Code - No.	Designation
1	38 92 3473	Bracket f / cross belt channel
2	38 92 3475	Cross belt channel 208 x 2500 perforated w / coupler EV 450
	38 92 3476	Cross belt channel 208 x 2500 perforated w / coupler EV 500
	38 92 3477	Cross belt channel 208 x 2500 perforated w / coupler EV 550
	38 92 3478	Cross belt channel 208 x 2500 perforated w / coupler EV 550 AV
3	38 92 3877	Connection channel 3000 / 250 E 9,3
	38 92 3878	Connection channel 2150 / 250 E 9,3
	38 92 3458	Connection channel 2150 / 250 E 11,5
4	38 92 3062	Bracket f / connector channel E 9,3
	38 92 3462	Bracket f / connector channel E 11,5
	00 00 3916	Bracket f / connector channel V - Trough
	39 00 3265	Bracket f / connector channel inner AP
	39 00 3266	Bracket f / connector channel outer AP
5	38 92 3625	Collecting box for dirt PPC f / Lift and L- belt
6	99 50 3025	Strip 25 x 5 - 6000 galv
7	00 00 3732	Egg belt 205 mm white PP
	00 00 1050	Egg belt 205 mm Jute
8	38 92 3479	Cross belt channel f / connection 208 x 2500 perforated w / coupler
9	38 92 3468	Coupler f / cross belt channel
10	99 10 1046	Hexagon head screw M 8 x 16 DIN 558
11	99 10 1040	Hexagon nut M 8 DIN 934
12	99 10 3872	Cup square neck bolt M 6 x 16 galv slotted
13	99 10 1045	Hexagon nut M 6 DIN 934
14	99 10 1140	Cross recessd raised chees head srew M 5 x 10 DIN 7985
15	99 10 1023	Hexagon nut M 5 DIN 934
16	38 95 3123	Support f / c - b - channel 3 t cpl EV
	38 95 3124	Support f / c - b - channel 4 t cpl EV
	38 95 3125	Support f / c - b - channel 5 t cpl EV
	38 95 3223	Support f / c - b - channel 3 t cpl CB
	38 95 3224	Support f / c - b - channel 4 t cpl CB
	38 95 3225	Support f / c - b - channel 5 t cpl CB

Pos.	Code - No.	Designation
17	38 95 3133	Post f / support f / c - b - channel lf 3 t EV
	38 95 3134	Post f / support f / c - b - channel lf 4 t EV
	38 95 3135	Post f / support f / c - b - channel lf 5 t EV
18	38 95 3143	Post f / support f / c - b - channel rh 3 t EV
	38 95 3144	Post f / support f / c - b - channel rh 4 t EV
	38 95 3145	Post f / support f / c - b - channel rh 5 t EV
19	39 00 3520	Seat f / foot at angle leg C 500
20	37 97 3393	Foot adjustable NAT
21	38 95 3149	Cross - struts f / support f / c - b - channel
22	99 10 1100	Hexagon head screw M 6 x 12 DIN 558
23	34 34 3425	Idler roller p / tier 210
24	00 00 3770	Egg belt cleaner type 210 lf

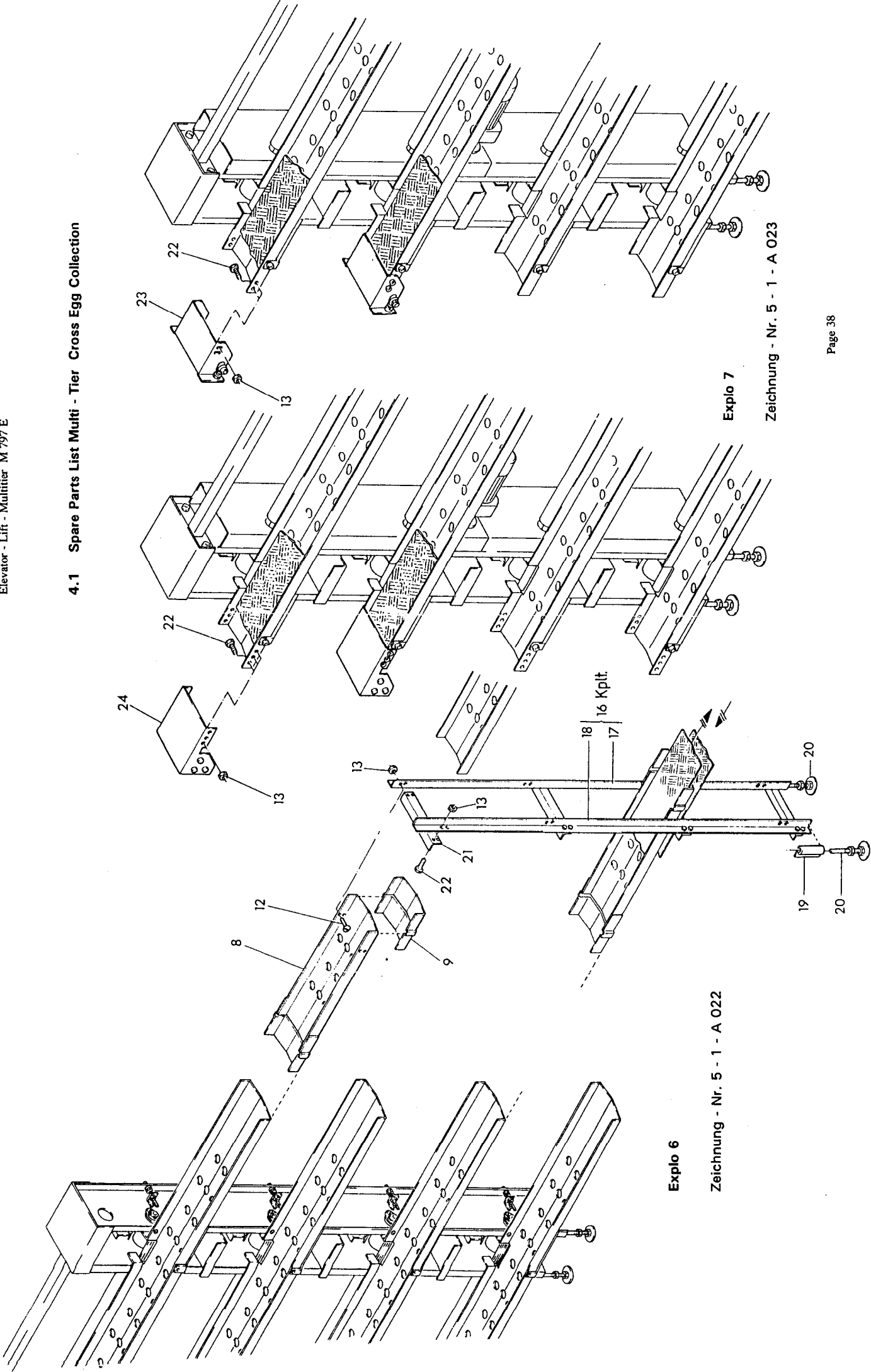
4.1 Spare Parts List Multi - Tier Cross Egg Collection



Explo 5

Drawing No. 5 - 1 - A 021

4.1 Spare Parts List Multi - Tier Cross Egg Collection



Explo 6

Zeichnung - Nr. 5 - 1 - A 022

Explo 7

Zeichnung - Nr. 5 - 1 - A 023

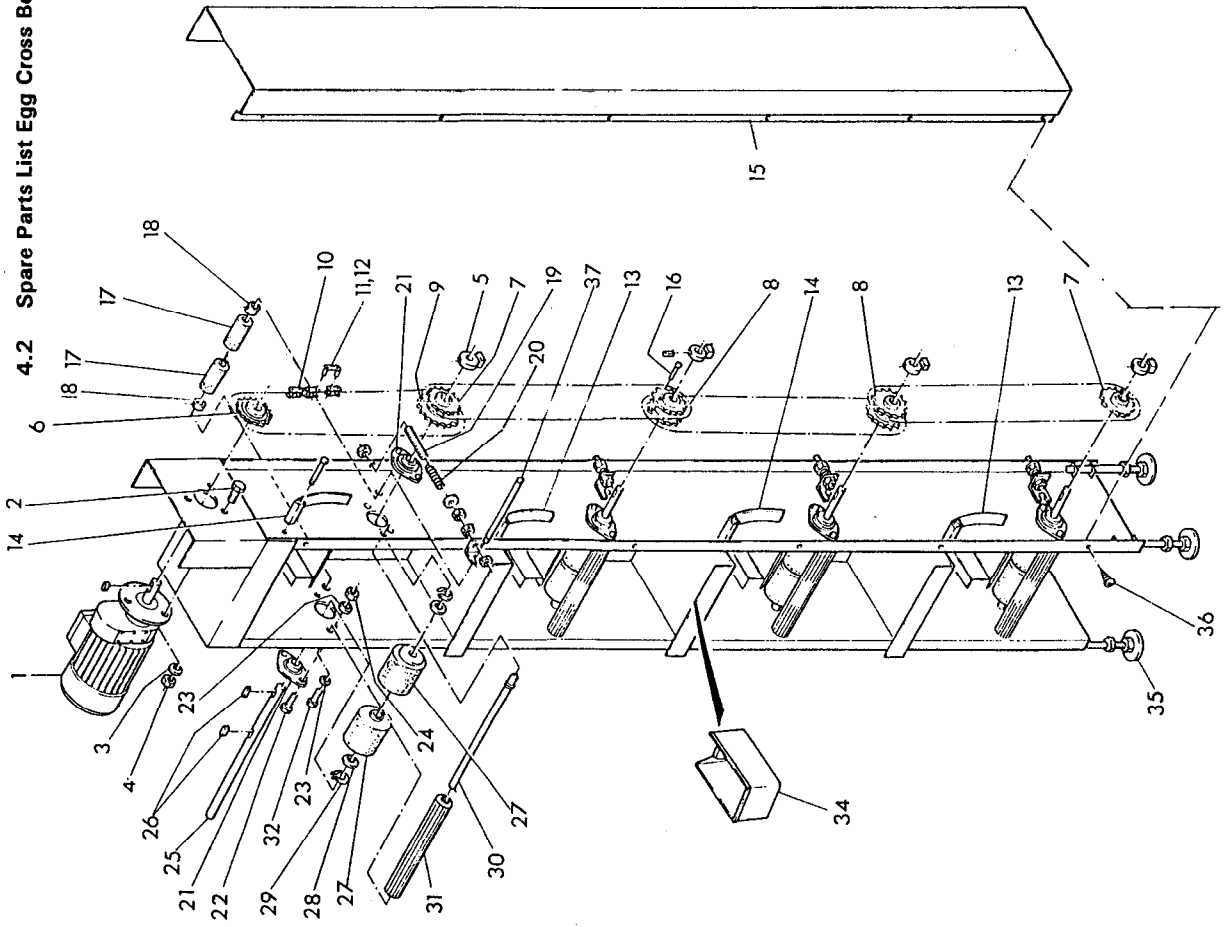
4.2 Spare Parts List Egg Cross Belt Drive

Pos.	Code - No.	Designation
1	90 00 3824	Mot - g 0,37 KW, 220 / 380 V, 50 Hz, 27 r shaft \varnothing 20 x 40
2	99 10 1044	Hexagon head screw M 6 x 25 DIN 558
3	99 20 1070	Spring washer A 6 DIN 127
4	99 10 1045	Hexagon nut M 6 DIN 934
5	38 94 3576	Pusher f / drive roller elevator
6	38 95 3109	Chain wheel 1 / 2", 19 t, b 20, single w / bush
7	38 92 3832	Chain wheel 1 / 2", 22 t, b 25, single w / bush
8	38 92 3587	Chain wheel 1 / 2", 22 t, b 25, double w / bush Roue a chaine 1 / 2", 22 d, p 25, dble av / douille
9	38 94 3528	Chain wheel 1 / 2", 38 t, b 25, single
10	99 98 8140	Roller chain 1 / 2" RE 222
11	99 50 1241	Chain joint 1 / 2" x 5 / 16"
12	99 50 1324	Chain link cranked 1 / 2"
13	38 94 3645	Tensioner f / chain cpl 85 lg Elevator
14	38 94 3545	Tensioner f / chain cpl 55 lg Elevator
15		Cover f / drive cross belt 3 t Cover f / drive cross belt 4 t Cover f / drive cross belt 5 t
16	38 94 3503	Shear pin \varnothing 3 x 25 steel
17	38 94 3519	Press. roller PVC \varnothing 20 x \varnothing 60 - 110 f / elevator
18	38 94 3578	Adjusting ring \varnothing 20 x 30 - 14
19	37 73 3402	Tightener f / pressure roller cpl
20	38 92 3509	Compression spring f / drive longitudinal belt
21	38 94 3513	Flange bearing sheet metal \varnothing 20, 2 - hole
22	99 10 1046	Hexagon head screw M 8 x 16 DIN 558
23	99 20 1026	Washer A 8 DIN 125
24	99 10 1040	Hexagon nut M 8 DIN 934
26	99 50 1289	Key 6 x 6 x 55 DIN 6885
27	38 92 3804	Pressure roller \varnothing 25 x \varnothing 96 -100
28	99 50 3907	Shim ring 25 x 36 x 0,1 DIN 988
	99 50 3908	Shim ring 25 x 36 x 0,5 DIN 988
	99 50 3906	Shim ring 25 x 36 x 1 DIN 988
29	99 50 3825	Retaining ring A 25 x 1,2 DIN 471
30	38 95 3107	Axle \varnothing 18 - 300 w / internal screw thread
31	38 95 3106	Pipe PA \varnothing 25 - 295 Lift + LB
32	99 10 1668	Hexagon socket head cap screw M 8 x 16 DIN 912
33	99 50 3902	Shim ring 20 x 28 x 1 DIN 988
34	38 92 3625	Collecting box for dirt PVC f / lift and I - belt

Elevator - Lift - Multitier M 797 E

Pos.	Code - No.	Designation
35	38 98 3611	Foot fully threaded
36	99 10 3902	Tapping screw 3,8 x 16 DIN 6928
37	38 95 3111	Shaft \varnothing 20 x 331 f / pressure roller

4.2 Spare Parts List Egg Cross Belt Drive



Explo 8

Zeichnung - Nr. 5 - 1 - A024

4.3 Spare Parts List Idler Column for Egg Cross Belt

Pos.	Code - No.	Designation
1	38 92 3523	Idler column cpl 3 t f / egg cross collection C 500
	38 92 3524	Idler column cpl 4 t f / egg cross collection C 500
	38 92 3525	Idler column cpl 5 t f / egg cross collection C 500
	38 92 3503	Idler column cpl 3 t f / egg cross collection EV
	38 92 3504	Idler column cpl 4 t f / egg cross collection EV
	38 92 3505	Idler column cpl 5 t f / egg cross collection EV
2	38 92 3913	Angle post f / idler column lh 3 t C 500
	38 92 3914	Angle post f / idler column lf 4 t C 500
	38 92 3915	Angle post f / idler column lf 5 t C 500
	38 92 3923	Angle post f / idler column lf 3 t EV
	38 92 3924	Angle post f / idler column lf 4 t EV
	38 92 3925	Angle post f / idler column lf 5 t EV
3	38 92 3933	Angle post f / idler column rh 3 t C 500
	38 92 3934	Angle post f / idler column rh 4 t C 500
	38 92 3935	Angle post f / idler column rh 5 t C 500
	38 92 3943	Angle post f / idler column rh 3 t EV
	38 92 3944	Angle post f / idler column rh 4 t EV
	38 92 3945	Angle post f / idler column rh 5 t EV
4	38 92 3916	Cross - brace f / connection channel f / support
5	38 92 3917	Angle f / idler column
6	38 92 3918	Guiding angle f / idler column
7	38 92 3919	U - rail f / idler column
8	39 00 3224	Guide plate lf + screw 10 x 130 EV
9	39 00 3225	Guide plate rh + screw 10 x 130 EV
10	38 92 3920	Idler roller f / idler column
11	38 92 3921	Shaft f / idler roller
12	99 20 1196	Washer 33 DIN 126
13	38 92 3926	Scraper f / idler column
14	38 92 3927	Cross brace f / idler column
15	37 97 3393	Foot adjustable NAT
16	39 00 3520	Seat f / foot at angle leg C 500
17	20 90 3858	Tension spring 1,6 x 12,7 x 92 galv
18	99 10 3888	Hexagon head screw M 12 x 150 DIN 558
19	99 50 1076	Washer B 13 DIN 125
20	99 20 1032	Hexagon nut M 12 DIN 555
21	99 10 3838	Hexagon head screw M 10 x 130 DIN 601
22	99 20 1029	Hexagon nut M 10 DIN 555
23	99 10 1100	Hexagon head screw M 6 x 12 DIN 558
24	99 10 1088	Hexagon head screw M 6 x 20 DIN 558
25	99 10 3872	Cup square neck bolt M 6 x 16 DIN 603
26	99 10 1045	Hexagon nut M 6 DIN 934

4.3 Spare Parts List Idler Column for Egg Cross Belt

Explo 9

Drawing No. Nr. 5 - 1 - A025

